



Controller Holder for Wireless remote controller **MAC-1200RC**

Photo



Descriptions

- The controller holder allows you to place the remote controller on the wall.
- It helps to prevent the remote controller, from being misplaced.

Applicable Models

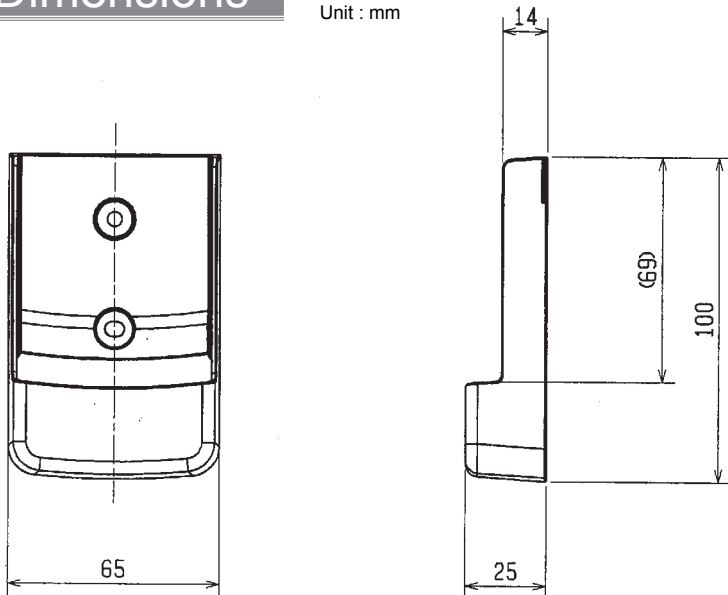
- MSZ-HJ25VA
- MSZ-HJ35VA
- MSZ-HJ50VA

Specifications

Material	Polystyrene
Color	White

Dimensions

Unit : mm



How to Use / How to Install

Installation area

- 1) Installation area**
- Area in which the remote controller is not exposed to direct sunshine.
 - Area in which there is no nearby heating source.
 - Area in which the remote controller is not exposed to cold (or hot) winds.
 - Area in which the remote controller can be operated easily.
 - Area in which the remote controller is beyond the reach of children.
- 2) Installation method**
- ① Attach the remote controller holder to the desired location using two tapping screws.
 - ② Place the lower end of the controller into the holder.
 - Ⓐ Remote controller
 - Ⓑ Wall
 - Ⓒ Display panel
 - Ⓓ Receiver
- The signal can travel up to approximately 7 meters (in a straight line) within 45 degrees to both right and left of the center line of the receiver.

OPTIONAL PARTS