

Air-Conditioners Indispensable Optional Parts

BRANCH BOX

PAC-MK51BC

PAC-MK31BC

ONLY FOR R410A OUTDOOR UNIT**ONLY FOR INDOOR USE**

INSTALLATION MANUAL

For safe and correct use, please read this installation manual thoroughly before installing the air-conditioner unit.

FOR INSTALLER

INSTALLATIONSHANDBUCH

Zum sicheren und ordnungsgemäßen Gebrauch der Klimaanlage das Installationshandbuch gründlich durchlesen.

FÜR INSTALLATEURE

MANUAL D'INSTALLATION

Veillez lire le manuel d'installation en entier avant d'installer ce climatiseur pour éviter tout accident et vous assurer d'une utilisation correcte.

POUR L'INSTALLATEUR

INSTALLATIEHANDLEIDING

Voor een veilig en juist gebruik moet u deze installatiehandleiding grondig doorlezen voordat u de airconditioner installeert.

VOOR DE INSTALLATEUR

MANUAL DE INSTALACIÓN

Para un uso seguro y correcto, lea detalladamente este manual de instalación antes de montar la unidad de aire acondicionado.

PARA EL INSTALADOR

MANUALE DI INSTALLAZIONE

Per un uso sicuro e corretto, leggere attentamente questo manuale di installazione prima di installare il condizionatore d'aria.

PER L'INSTALLATORE

ΕΓΧΕΙΡΙΔΙΟ ΟΔΗΓΙΩΝ ΕΓΚΑΤΑΣΤΑΣΗΣ

Για ασφάλεια και σωστή χρήση, παρακαλείστε διαβάσετε προσεκτικά αυτό το εγχειρίδιο εγκατάστασης πριν αρχίσετε την εγκατάσταση της μονάδας κλιματισμού.

ΓΙΑ ΑΥΤΟΝ ΠΟΥ ΚΑΝΕΙ ΤΗΝ ΕΓΚΑΤΑΣΤΑΣΗ

MANUAL DE INSTALAÇÃO

Para segurança e utilização correctas, leia atentamente este manual de instalação antes de instalar a unidade de ar condicionado.

PARA O INSTALADOR

INSTALLATIONSMANUAL

Læs venligst denne installationsmanual grundigt, før De installerer airconditionanlægget, af hensyn til sikker og korrekt anvendelse.

TIL INSTALLATØREN

INSTALLATIONSMANUAL

Läs denna installationsmanual noga för säkert och korrekt bruk innan luftkonditioneringen installeras.

FÖR INSTALLATÖREN

MONTAJ ELKİTABI

Emniyetli ve doğru biçimde nasıl kullanılacağını öğrenmek için lütfen klima cihazını monte etmeden önce bu elkitabını dikkatle okuyunuz.

MONTÖR İÇİN

РУКОВОДСТВО ПО УСТАНОВКЕ

Для осторожного и правильного использования прибора необходимо тщательно ознакомиться с данным руководством по установке до выполнения установки кондиционера.

ДЛЯ УСТАНОВИТЕЛЯ

English

Deutsch

Français

Nederlands

Español

Italiano

Ελληνικά

Português

Dansk

Svenska

Türkçe

Русский

Contents

1. Safety precautions	2	6. Mounting the Branch Box	7
2. Selecting a location for installation	2	7. Installing refrigerant piping	7
3. Confirming supplied accessories	3	8. Electrical work	9
4. Dimensions and required servicing space of Branch Box	3	9. Test run	14
5. Refrigerant piping	6		

This installation manual is only for the branch box installation. In installing the indoor units and outdoor units, refer to the installation manual attached to each unit.

1. Safety precautions

- ▶ Before installing the unit, make sure you read all the “Safety precautions”.
- ▶ Please report to or take consent by the supply authority before connection to the system.
- ▶ PAC-MK•BC series are designed as professional equipment. When installing the unit in a regular house, install the optional Reactor Box (PAC-RB01BC) for harmonic suppression.
- ▶ When receiving electricity from the outdoor unit, applicable standards for the outdoor unit may not be satisfied depending on the indoor unit used.

⚠ Warning:

Describes precautions that must be observed to prevent danger of injury or death to the user.

⚠ Warning:

- The unit must not be installed by the user.
- Ask a dealer or an authorized technician to install the unit.
- For installation work, follow the instructions in the Installation Manual and use tools and pipe components specifically made for use with refrigerant specified in the outdoor unit installation manual.
- The unit must be installed according to the instructions in order to minimize the risk of damage from earthquakes, typhoons, or strong winds. An incorrectly installed unit may fall down and cause damage or injuries.
- The unit must be securely installed on a structure that can sustain its weight.
- If the air conditioner is installed in a small room, measures must be taken to prevent the refrigerant concentration in the room from exceeding the safety limit in the event of refrigerant leakage. Should the refrigerant leak and cause the concentration limit to be exceeded, hazards due to lack of oxygen in the room may result.
- Ventilate the room if refrigerant leaks during operation. If refrigerant comes into contact with a flame, poisonous gases will be released.
- All electric work must be performed by a qualified technician according to local regulations and the instructions given in this manual.
- Use only specified cables for wiring.
- The terminal block cover panel of the unit must be firmly attached.
- Use only accessories authorized by Mitsubishi Electric and ask a dealer or an authorized technician to install them.
- The user should never attempt to repair the unit or transfer it to another location.
- After installation has been completed, check for refrigerant leaks. If refrigerant leaks into the room and comes into contact with the flame of a heater or portable cooking range, poisonous gases will be released.
- Be sure to connect the power supply cords and the connecting wires for the indoor units, outdoor units, and branch boxes directly to the units (no intermediate connections).
Intermediate connections can lead to communication errors if water enters the cords or wires and causes insufficient insulation to ground or a poor electrical contact at the intermediate connection point.
(If an intermediate connection is necessary, be sure to take measures to prevent water from entering the cords and wires.)

⚠ Caution:

Describes precautions that must be observed to prevent damage to the unit.

After installation work has been completed, explain the “Safety Precautions,” use, and maintenance of the unit to the customer according to the information in the Operation Manual and perform the test run to ensure normal operation. Both the Installation Manual and Operation Manual must be given to the user for keeping. These manuals must be passed on to subsequent users.

⚡: Indicates a part which must be grounded.

⚠ Warning:

Carefully read the labels affixed to the main unit.

⚠ Caution:

- Make sure that the refrigerant pipes are well insulated to prevent condensation.
Incomplete insulation may cause condensation on the surface of pipes, wetting of the ceiling, floor and other important properties.
- Do not use the unit in an unusual environment. If the air conditioner is installed in areas exposed to steam, volatile oil (including machine oil), or sulfuric gas, areas exposed to high salt content such as the seaside, the performance can be significantly reduced and the internal parts can be damaged.
- Do not install the unit where combustible gases may leak, be produced, flow, or accumulate. If combustible gas accumulates around the unit, fire or explosion may result.
- When installing the unit in a hospital or communications office, be prepared for noise and electronic interference. Inverters, home appliances, high-frequency medical equipment, and radio communications equipment can cause the air conditioner to malfunction or breakdown. The air conditioner may also affect medical equipment, disturbing medical care, and communications equipment, harming the screen display quality.
- Thermal insulation of the refrigerant pipe is necessary to prevent condensation. If the refrigerant pipe is not properly insulated, condensation will be formed.
- Place thermal insulation on the pipes to prevent condensation. If the drain-pipe is installed incorrectly, water leakage and damage to the ceiling, floor, furniture, or other possessions may result.
- Do not clean the air conditioner unit with water. Electric shock may result.
- Tighten all flare nuts to specification using a torque wrench. If tightened too much, the flare nut can break after an extended period.
- Be sure to install circuit breakers, if not installed, electric shock may result.
- For the power lines, use standard cables of sufficient capacity. Otherwise, a short circuit, overheating, or fire may result.
- When installing the power lines, do not apply tension to the cables. If the connections are loosened, the cables can snap or break and overheating or fire may result.
- Do not connect the ground wire to gas or water pipes, lighting rods, or telephone grounding lines. If the unit is not properly grounded, electric shock may result.

2. Selecting a location for installation

* The branch box is only for indoor use.
Please attach the special optional cover (PAC-AK350CVR-E) to install the branch box in the outdoors.

- Ensure that the branch box is installed in a location which facilitates servicing and maintenance. (ensure that the required maintenance hole or service space is available).

- Do not install near bedrooms. The sound of refrigerant flowing through the piping may sometimes be audible.
- Ensure that it is located where noise in operation will not be a problem. After power is supplied or after an operation stop for a while, a small clicking noise may be heard from the inside of the branch box. The electronic expansion valve is opening and closing. The unit is not faulty.

- Determine the route of refrigerant piping, and electrical wiring beforehand.
- Ensure that the location of the installation is such that the length of refrigerant piping is within the specified limits.

• Do not install in location that is hot or humid for long periods of time.

- Ensure that the branch box is installed above the ceiling of corridor, bath room, etc., where persons are not regularly there (Avoid installing at around center of the room.) for maintenance.

* Ensure that the unit is installed in a location able to support its weight.

⚠ Warning:

Ensure that the unit is installed firmly in a location able to support its weight. If the installation is of insufficient strength the unit may fall, resulting in injury.

3. Confirming supplied accessories

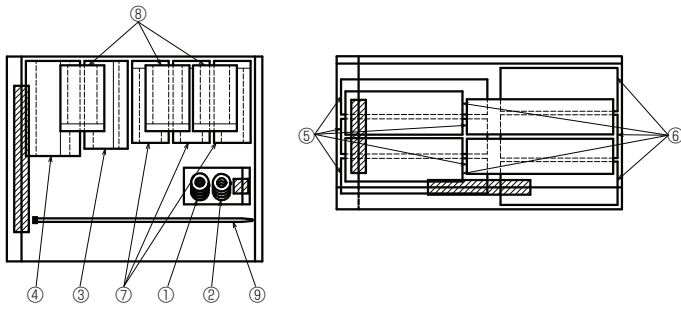


Fig. 3-1

3.1. Check the Branch Box accessories and parts

	Accessory name	Q'ty		
		PAC-MK31BC	PAC-MK51BC	
①	Washer (with insulation)	4	4	
②	Washer	4	4	
③	Pipe cover (Liquid)	1	1	TO OUTDOOR UNIT
④	Pipe cover (Gas)	1	1	TO OUTDOOR UNIT
⑤	Pipe cover (Liquid)	3	5	TO INDOOR UNITS
⑥	Pipe cover (Gas)	3	5	TO INDOOR UNITS
⑦	Joint cover (Liquid)	1	3	
⑧	Joint cover (Gas)	1	3	
⑨	Band	16	24	

4. Dimensions and required servicing space of Branch Box

Optional different-diameter (deformed) joints

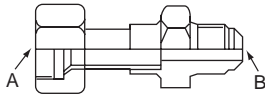


Fig. 4-1

Model name	Connected pipes diameter	Diameter A	Diameter B
	mm	mm	mm
MAC-A454JP	ø9.52 → ø12.7	ø9.52	ø12.7
MAC-A455JP	ø12.7 → ø9.52	ø12.7	ø9.52
MAC-A456JP	ø12.7 → ø15.88	ø12.7	ø15.88
PAC-493PI	ø6.35 → ø9.52	ø6.35	ø9.52
PAC-SG76RJ-E	ø9.52 → ø15.88	ø9.52	ø15.88

- * Please connect 2 indoor units or more with 1 system.
- * Up to 2 branch boxes may be connected to 1 outdoor unit.
- * Suspension bolt : W3/8 (M10)
- * Refrigerant pipe flared connection

* The piping connection size differs according to the type and capacity of indoor units. Match the piping connection size for indoor unit and branch box. If the piping connection size of branch box does not match the piping connection size of indoor unit, use optional different-diameter (deformed) joints to the branch box side. (Connect deformed joint directly to the branch box side.)

■ PAC-MK51BC (5-branches type)

(mm)

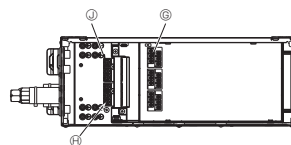
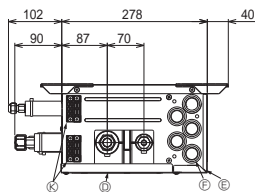
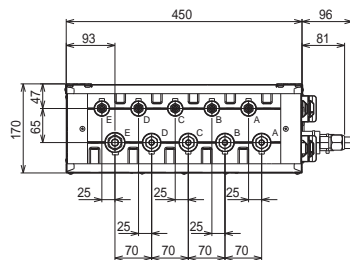
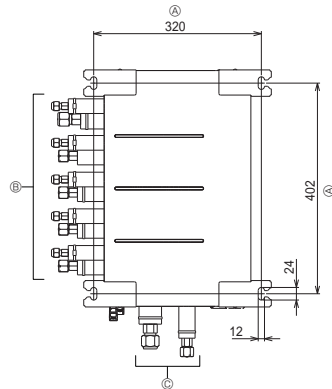


Fig. 4-2

- Ⓐ Suspension bolt pitch
- Ⓑ To indoor unit
- Ⓒ To outdoor unit
- Ⓓ Service panel (for LEV, THERMISTOR)
- Ⓔ Electric cover
- Ⓕ Rubber bush
- Ⓖ Terminal block (to indoor unit on control board)
- Ⓗ Terminal block (to outdoor unit)
- Ⓙ Terminal block (for communication cable)
- Ⓚ Cable clamp

■ PAC-MK51BC (Fig.4-2)

Suspension bolt: W3/8 (M10)
Refrigerant pipe flared connection

	mm					
	A	B	C	D	E	To outdoor unit
Liquid pipe	ø6.35	ø6.35	ø6.35	ø6.35	ø6.35	ø9.52
Gas pipe	ø9.52	ø9.52	ø9.52	ø9.52	ø12.7	ø15.88

Conversion formula

1/4 F	ø6.35
3/8 F	ø9.52
1/2 F	ø12.7
5/8 F	ø15.88
3/4 F	ø19.05

4. Dimensions and required servicing space of Branch Box

■ PAC-MK31BC (3-branches type)

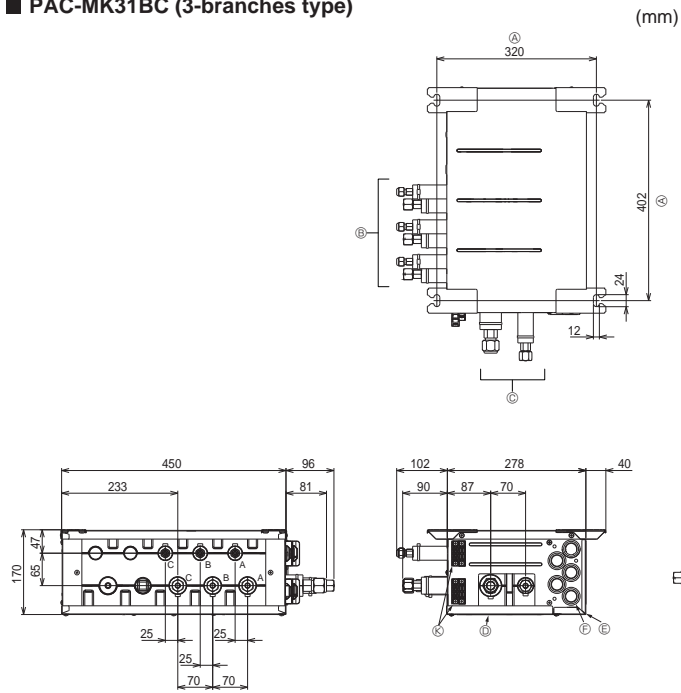


Fig. 4-3

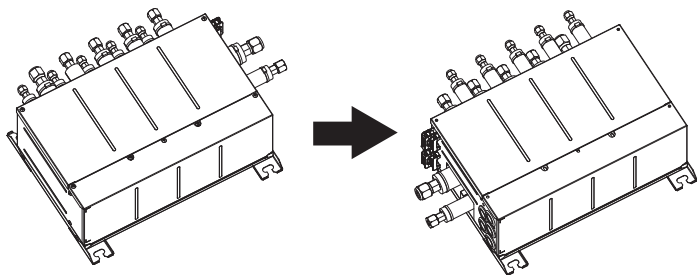
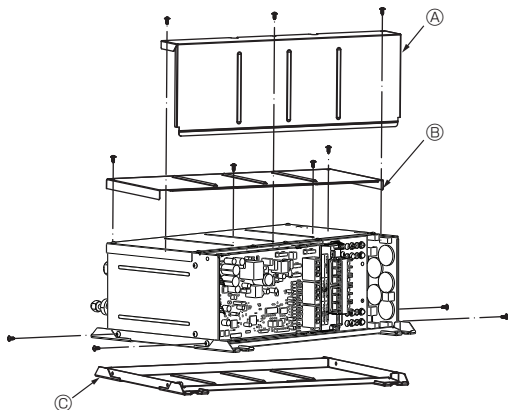


Fig. 4-4

② Remove the electric cover, service panel, and top panel.

- Ⓐ Electric cover
- Ⓑ Service panel
- Ⓒ Top panel

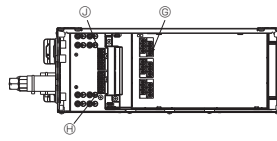


■ PAC-MK31BC (Fig.4-3)

Suspension bolt: W3/8 (M10)

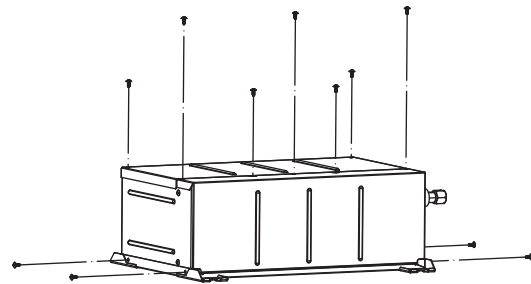
Refrigerant pipe flared connection

	mm			
	A	B	C	To outdoor unit
Liquid pipe	ø6.35	ø6.35	ø6.35	ø9.52
Gas pipe	ø9.52	ø9.52	ø9.52	ø15.88



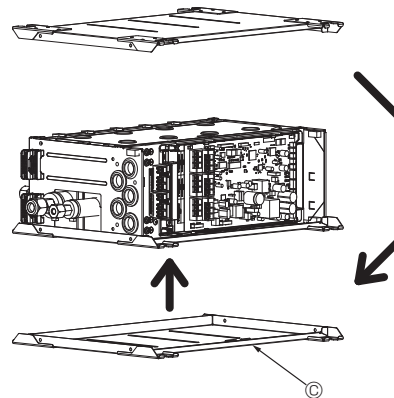
4.1. The direction of the piping can be changed. (Fig. 4-4). [Work Procedures] (Fig. 4-5)

① Remove the screws in each part.



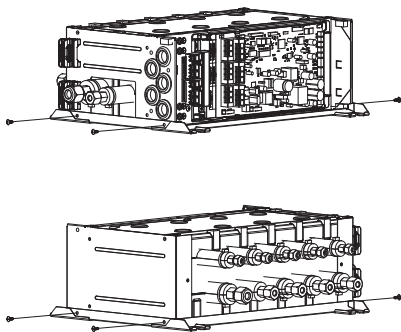
③ Install the top panel on the opposite surface.

- Ⓒ Top panel



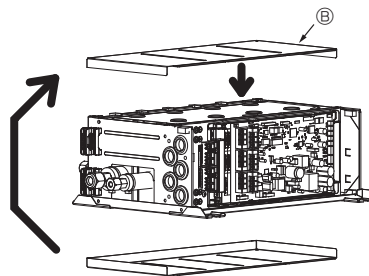
4. Dimensions and required servicing space of Branch Box

④ Fasten the screws in each part.

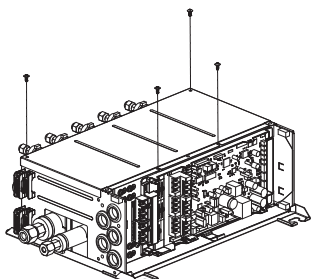


⑤ Install the service panel on the opposite surface.

ⓑ Service panel

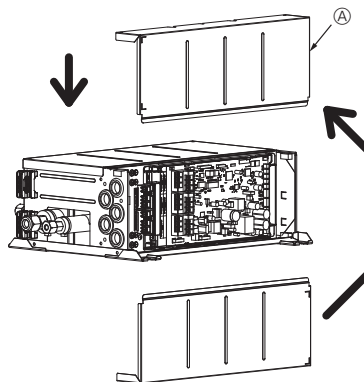


⑥ Fasten the screws.



⑦ Install the electric cover on the opposite surface.

Ⓐ Electric cover



⑧ Fasten the screws.

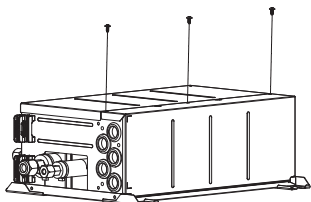


Fig. 4-5

4. Dimensions and required servicing space of Branch Box

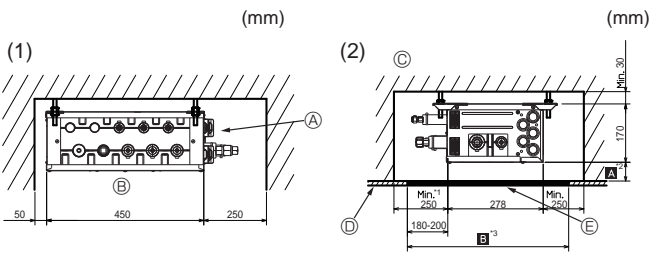


Fig. 4-6

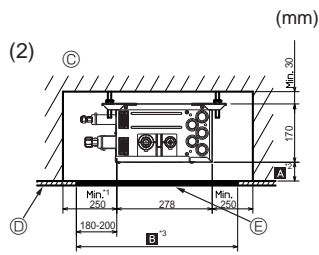


Fig. 4-7

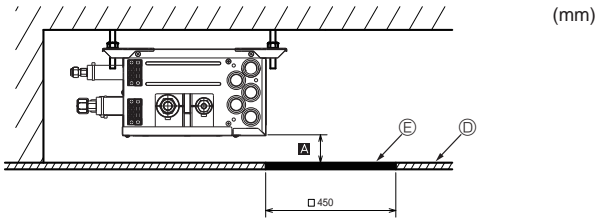


Fig. 4-8

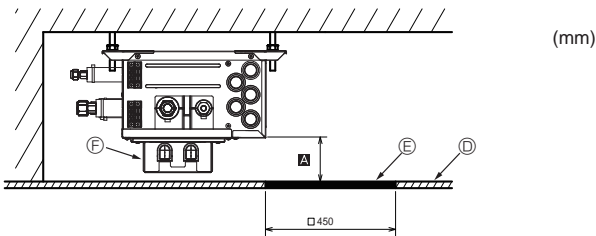


Fig. 4-9

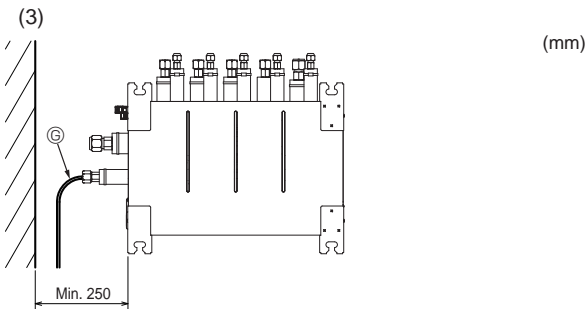


Fig. 4-10

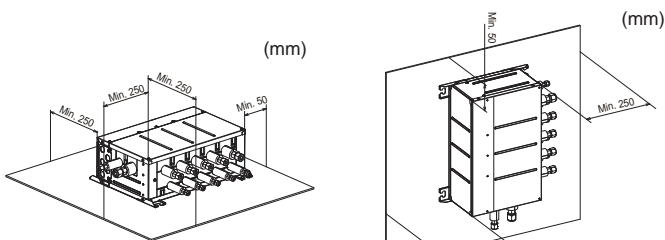


Fig. 4-11

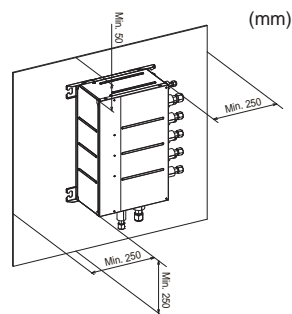


Fig. 4-12

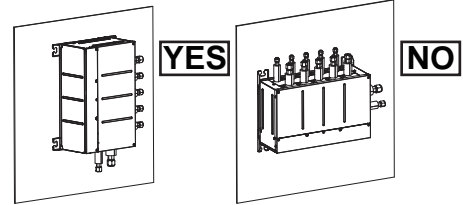
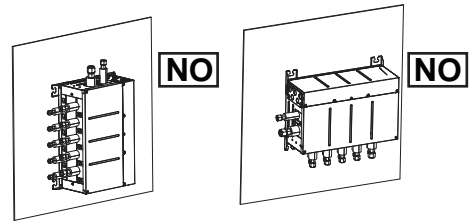


Fig. 4-13

4.2. Space required for installation and servicing

I. The space when installing with the suspension bolts.

- (1) Front View (Fig. 4-6)
 - Ⓐ Branch box
 - Ⓑ On the side of piping
- (2) Side View (Fig. 4-7, Fig. 4-8, Fig. 4-9)
 - Ⓒ For indoor installations
 - Ⓓ Ceiling board
 - Ⓔ Maintenance hole
 - Ⓕ Reactor Box (Optional parts)

*1: Minimum 350 mm is required for 90° bends in refrigerant piping.

*2: **A** is "Min. 200 mm" <recommendation>.

In the case of less than 200 mm (for example **A** is 100 mm), the exchange work of Branch box from a maintenance hole becomes difficult (Only exchange work of a PCB, linear expansion valve coils and sensors are possible).

To install the optional Reactor Box, set **A** to Min. 270 mm <recommendation> (Fig. 4-9).

*3: **B** is "□ 600 mm" <recommendation>.

In the case of "□ 450 mm", prepare a maintenance hole at a PCB side (as it is shown in Fig. 4-8, Fig. 4-9), and "Min. 300 mm" is needed as distance **A**.

In the case of less than 300 mm (for example **A** is 100 mm), the exchange work of Branch box, linear expansion valve coils and sensors from a maintenance hole becomes difficult (Only exchange work of a PCB is possible).

- (3) Top View (Fig. 4-10)
 - Ⓒ Refrigerant piping

II. The space when installing on the floor. (Fig. 4-11)

III. The space when installing on a wall. (Fig. 4-12)

The installation direction is limited when installing on a wall. (Fig. 4-13)

When installing the unit on the wall, install the piping connected to the outdoor unit facing down. Other ways are not acceptable.

5. Refrigerant piping

* Always follow the specifications written in the installation manual of the outdoor unit. Exceeding these requirements may cause reduced performance of the equipment, and malfunctions.

6. Mounting the Branch Box

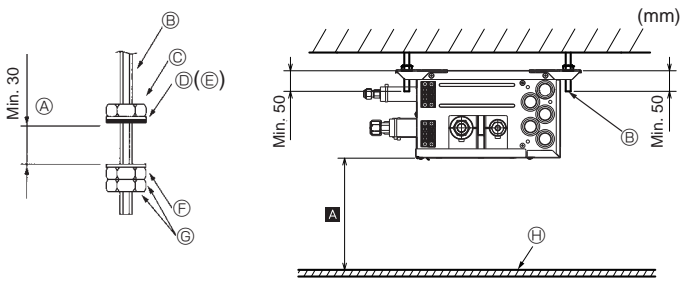


Fig. 6-1

- (1) Install the suspension bolts (procure locally) at the specified pitch (Fig. 4-2, 4-3).
 - (2) Fit the washers and nuts (①, ②, procure locally) to the suspension bolts.
(Fig. 6-1)
 - (3) Hang the unit on the suspension bolts.
 - (4) Fully tighten the nuts (check ceiling height).
 - (5) Use a level to adjust the branch box to the horizontal.
- A When unit is hung and nuts tightened
 B Suspension bolt
 C Nut
 D Washer (with cushion) ①
 E Ensure that cushion faces downwards
 F Washer (without cushion) ②
 G Nut (procure locally)
 H Ceiling board

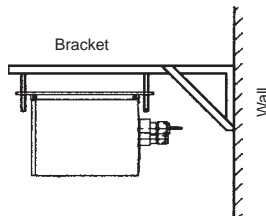


Fig. 6-2

* Purchase an appropriate bracket locally if the unit is to be mounted on a wall.

7. Installing refrigerant piping

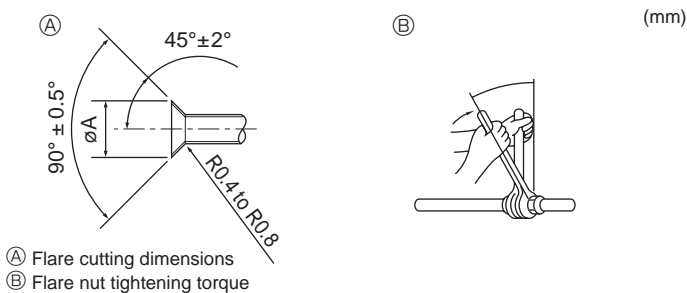


Fig. 7-1

- ▶ Connect the liquid and gas pipes of each indoor unit to the same end connection numbers as indicated on the indoor unit flare connection section of each Branch Box. If connected to wrong end connection numbers, it doesn't work normally.
- ▶ When connecting indoor units, make sure to connect refrigerant pipes and connection wires to the appropriate connection ports marked with matching alphabets. (Ex. A, B, C, D, E)

Note:

- Be sure to mark all the local refrigerant piping (liquid pipes, gas pipes, etc.) for each indoor unit designating clearly which room it belongs in. (Ex. A, B, C, D, E)
- ▶ List indoor unit model names in the name plate on the control box of Branch Box (for identification purposes).

- Conduct sufficient anti-condensation and insulation work to prevent water dripping from the refrigerant piping. (liquid pipe/gas pipe)
- Increase insulation depending on the environment where the refrigerant piping is installed, or condensation may occur on the surface of the insulation material. (Insulation material Heat-resistant temperature: 120 °C, Thickness: 15 mm or more)
- * When the refrigerant piping is used in locations subject to high temperature and humidity such as in the attic, further addition of insulation may be required.

- To insulate the refrigerant piping, apply heat-resistant polyethylene foam between the indoor unit and insulation material as well as to the net between the insulation material filling all gaps. (Condensation forming on the piping may result in condensation in the room or burns when contacting the piping.)

- ▶ **When using commercially available refrigerant piping, ensure that both liquid and gas piping are wrapped with commercially available thermal insulation materials (insulation materials at least 12 mm thick and able to withstand temperatures in excess of 100 °C).**
- ▶ **Refer to the installation manual of the outdoor unit when creating a vacuum and opening or closing valves.**

- (1) Remove the flared nuts and caps from the branch box.
- (2) Flare the ends of the liquid and gas piping, and apply refrigeration oil (procure locally) to the flared seat.
Do not apply oil to the threaded portion.
- (3) Connect the refrigerant piping immediately. Always tighten the flared nuts to the torque specified in the table 2 using a torque wrench and double spanner.
- (4) Press the pipe covers ③ and ⑤ on the liquid piping against the unit and wrap to hold in place. (Fig. 7-3)
- (5) Press the pipe covers ④ and ⑥ on the gas piping against the unit and wrap to hold in place. (Fig. 7-3)
- (6) Apply the supplied bands ⑨ at a position 10 - 20 mm from each end of the pipe covers (③④⑤⑥).
- (7) If the indoor unit is not connected, fit the supplied pipe covers (with caps, ⑦ and ⑧) to the branch box refrigerant piping connections against the unit to prevent condensation dripping from the pipes. (Fig. 7-4)
- (8) Clamp the pipe covers (⑦⑧) in place with the supplied bands ⑨.

Ⓐ Flare cutting dimensions

Table 1

Copper pipe O.D. (mm)	Flare dimensions øA dimensions (mm)
ø6.35	8.7-9.1
ø9.52	12.8-13.2
ø12.7	16.2-16.6
ø15.88	19.3-19.7

Ⓑ Flare nut tightening torque

Table 2

Copper pipe O.D. (mm)	Flare nut O.D. (mm)	Tightening torque (N•m)
ø6.35	17	14-18
ø6.35	22	34-42
ø9.52	22	34-42
ø9.52	26	49-61
ø12.7	26	49-61
ø12.7	29	68-82
ø15.88	29	68-82
ø15.88	36	100-120

*1 N•m ≈ 10 kg•cm

7. Installing refrigerant piping

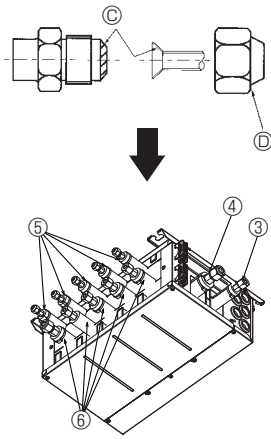


Fig. 7-2

⚠ Caution:

Tighten the flare nut with a torque wrench in the specified method. Overtightening will cause the flare nut to crack and it will cause refrigerant leakage over a period of time.

- Ⓒ Apply refrigeration oil to the entire (Fig. 7-2) surface of the flared seat.
- Ⓓ Basically use flared nuts fitted to the body (commercially available flared nuts may crack).

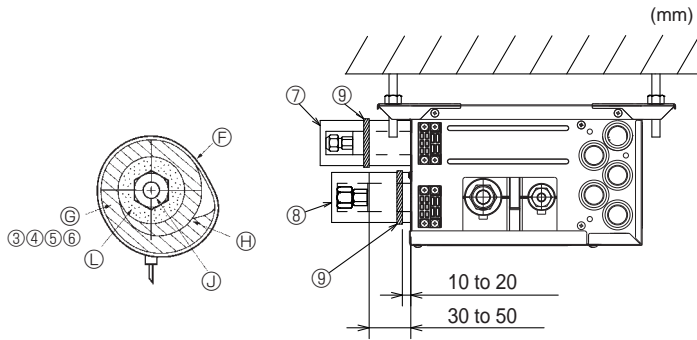


Fig. 7-3

Fig. 7-4

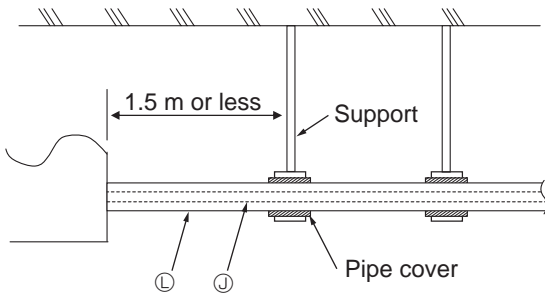


Fig. 7-5

Note:

A special flare nut (optional or attached to the indoor unit) is needed to some indoor units. Please refer to the installation manual of outdoor unit and indoor unit for details.

- Ⓕ Band ⑨
- Ⓖ Pipe covers ③④⑤⑥
- Ⓗ Tighten
- Ⓙ Refrigerant piping
- Ⓛ Thermal insulation for refrigerant piping

► Use the following procedures for indoor connection part which indoor unit is not connected. (Fig. 7-4)

- (1) In order to prevent refrigerant leaks, make sure that the flare nuts are tightened according to the specified torques* in Table 3.
* Refrigerant may also leak if the flare nuts are tightened more than the specified torques.
- (2) In order to prevent condensation, install the pipe covers ⑦ ⑧ against the unit and fasten them with the supplied bands ⑨ .

Table 3

Diameters of branch box openings for connecting indoor units (mm)	Tightening torque (N•m)
∅6.35	13 ± 2
∅9.52	30 ± 2
∅12.7	50 ± 2

► **Refrigerant charge:**

Refer to the installation manual of the outdoor unit.
Use only R410A refrigerant (use of other refrigerants may cause troubles).

⚠ Caution:

To avoid excessive strain on the branch box, support the piping with one or more support(s) 1.5 m or less from the branch box.

Refer to Fig. 7-5 as an example.

- Ⓙ Refrigerant piping
- Ⓛ Thermal insulation for refrigerant piping

8. Electrical work

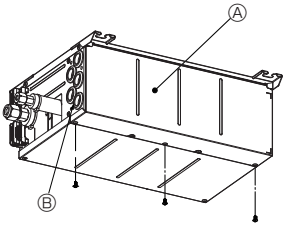


Fig. 8-1

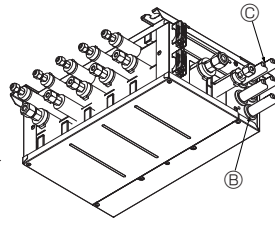


Fig. 8-2

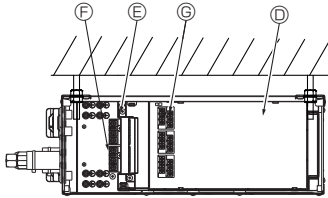


Fig. 8-3

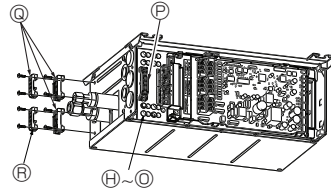


Fig. 8-4

- Ⓐ Electric cover
- Ⓑ Rubber bush
- Ⓒ Wiring
- Ⓓ Controller board
- Ⓔ Terminal block: TB5
- Ⓕ Terminal block: TB2B <To outdoor unit>
- Ⓖ Terminal block: TB3A-TB3E <To indoor unit>
- Ⓗ Earth Terminal <To outdoor unit>

- Ⓘ Earth Terminal <For TB3A>
- Ⓚ Earth Terminal <For TB3B>
- Ⓛ Earth Terminal <For TB3D>
- Ⓜ Earth Terminal <For TB3C>
- Ⓝ Earth Terminal <For TB3E>
- Ⓞ Earth Terminal <To other branch box>
- Ⓟ Cable clamp <For TB2B>
- Ⓠ Cable clamp <For TB3A-TB3E>
- Ⓡ Cable clamp <For TB5>

▶ Cautions for electrical work.

⚠ Warning:

- Always use dedicated circuits with breakers, and at the rated voltage. Power supply circuits with insufficient capacity, and bad workmanship during installation, may result in electric shock or fire.

⚠ Caution:

- Be sure to establish an earth. Do not earth the unit to a utility pipe, arrester, or telephone earth. Incomplete earth may cause electrical shock. A high surge current from lightning or other sources may cause damage to the air conditioner.
- Use the specified electrical wiring and ensure that it is connected properly, and that it is not under tension. Failure to follow these requirements may result in broken wiring, heating, or fire.
- ▶ Before turning Branch Box on, be sure to set the switches.
- ▶ To turn the power on, turn on the Branch Box then the outdoor unit, in that order.
(In case power supplies for Branch Box and outdoor unit are separated)
- ▶ Wiring connecting branch box and outdoor unit, and branch box and indoor units, functions as both power supply and signal cable. Connect this wiring in accordance with the terminal block numbers to ensure correct polarity.
- ▶ Ensure that the appropriate refrigerant piping and electrical wiring are connected to each indoor unit. Incorrect wiring will interfere with the correct operation of the unit.

▶ Connect refrigerant pipes and connection wires to the appropriate ports marked with matching alphabets (Ex. A, B, C, D, E) on this unit.

▶ Always fix each ground wire separately with a ground screw.

▶ To prevent that wiring installed in the ceiling is chewed by rats etc., it should be installed in wiring conduit.

1. Remove the electric cover. (Fig. 8-1)
2. Pass the wiring into the branch box each wire in place with a wiring clamp.
3. Firmly connect each wire to the appropriate terminal block. (Fig. 8-8)
4. Set dip sw. (Refer to 8.3)
5. Replace the electric cover.

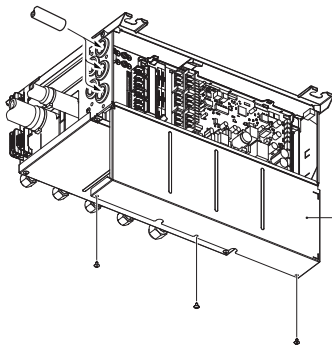


Fig. 8-5

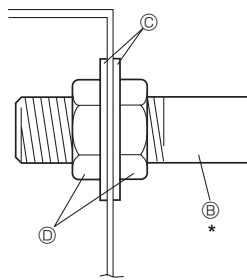


Fig. 8-6

8.1. When using wiring conduit (Fig. 8-5,6,7)

Replace the horizontal cover when the wiring conduit has been fixed in place.

- Ⓐ Cover
- Ⓑ Wiring conduit
- Ⓒ Washer
- Ⓓ Nut

Wiring conduit of up to 1" OD may be used.

- (1) When using 1" OD wiring conduit, remove the bush and fix to the branch box. Remove the horizontal cover while fixing to the branch box.
- (2) When using wiring conduit of 3/4" OD or smaller, notch the bush and insert the wiring conduit approximately 100 mm into the branch box.
* Replace the horizontal cover when the wiring conduit has been fixed in place.

⚠ Caution:

To avoid excessive strain on the branch box, support the wiring conduit Ⓑ with one or more support(s) 1.5 m or less from the branch box. Refer to Fig. 8-7 as an example.

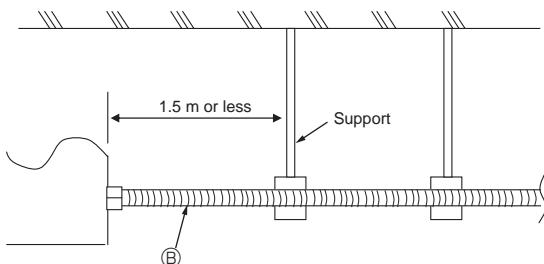
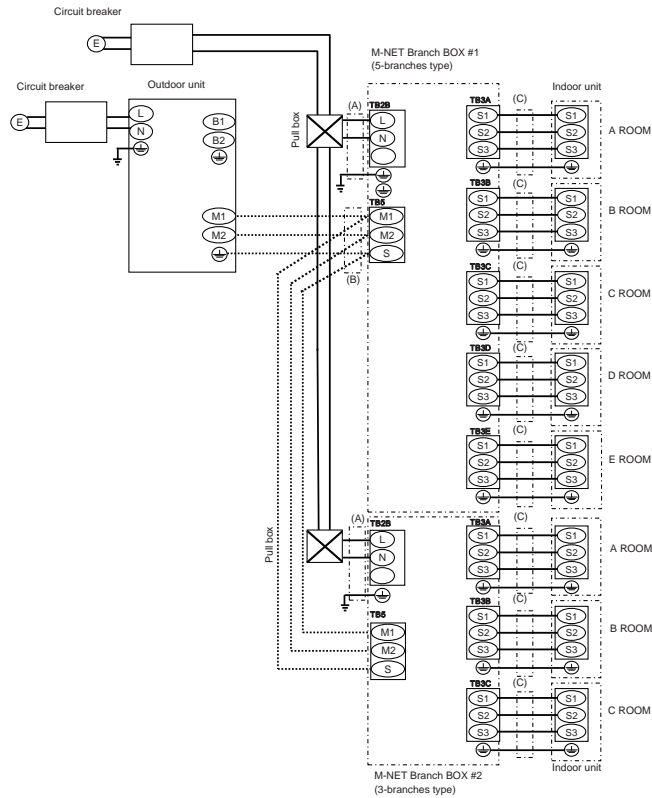


Fig. 8-7

8. Electrical work

Supply power separately to branch box and outdoor unit



Supply power separately to branch box and outdoor unit

When installing the unit in a regular house. (Refer to Note ③)

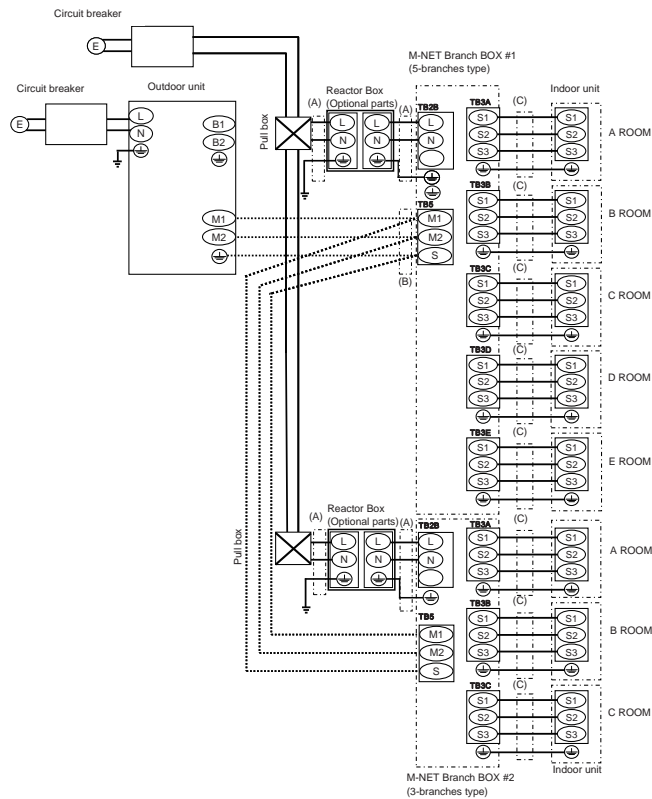
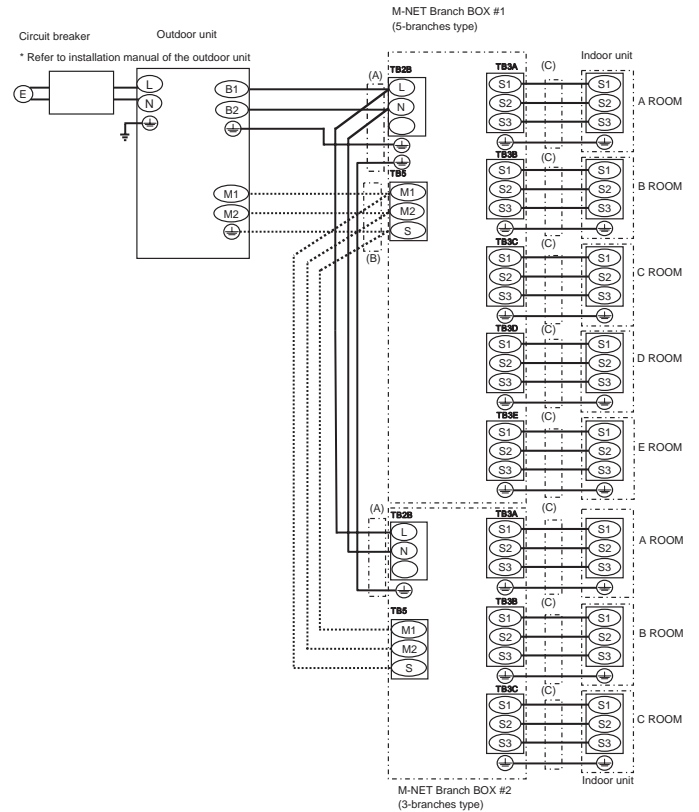


Fig. 8-8

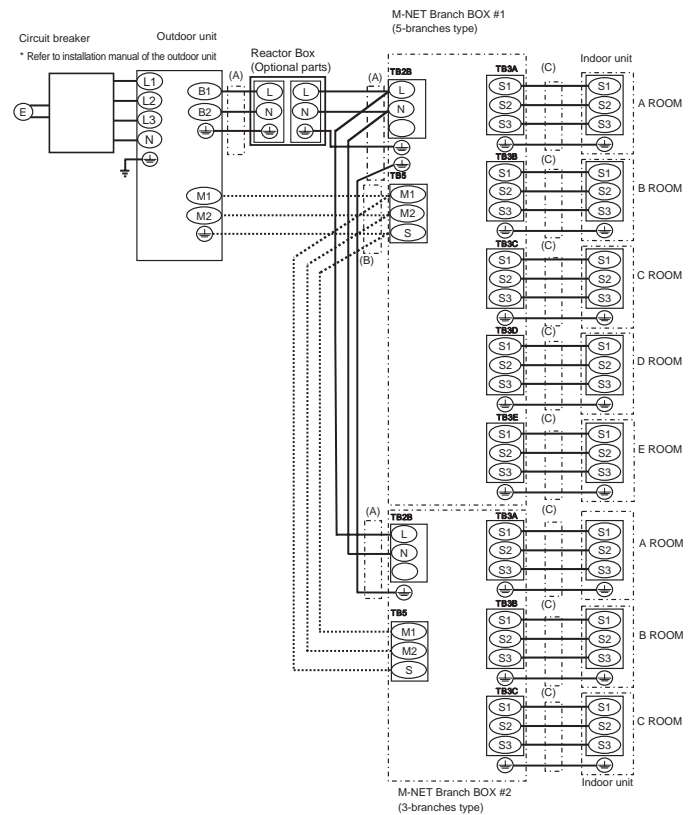
8.2. External wiring procedure (Fig. 8-8, Fig 8-9)

Power supply from Outdoor unit



Power supply from Outdoor unit

When installing the unit in a regular house. (Refer to Note ③)



© Power supply: Single phase 220/230/240 V 50 Hz, 220 V 60 Hz

8. Electrical work

M-NET Branch BOX
(5-branches type)

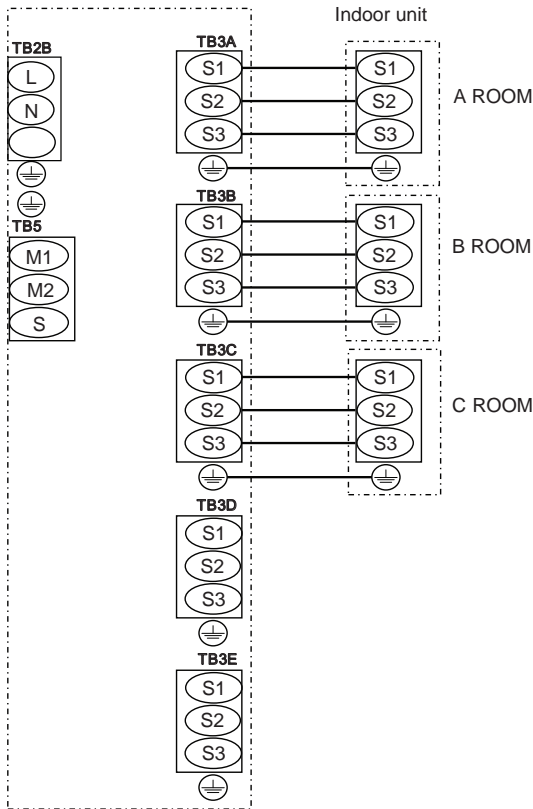


Fig. 8-9

• Recommended Connection Method

When connecting one indoor unit to the branch box, connect it to TB3A. When connecting 2 indoor units, connect them to TB3A and TB3B. When connecting 3 indoor units, connect them to TB3A, TB3B, and TB3C. Connect indoor units in the order of A→B→C→D→E.

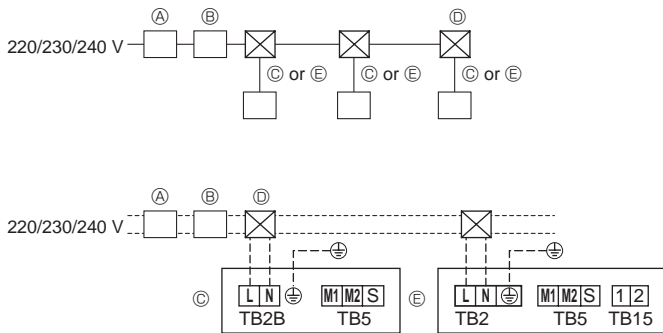


Fig. 8-10

Note:

- ① Connect the lines (B), (C) in accordance with the terminal block names to ensure correct polarity.
- ② As for lines (C), S1 and S2 are for connecting the power source. And S2 and S3 are for signals. S2 is common cable for the power source and signal.

Wire diameter		
(A) Main power line/ Earth line	(B) M-NET cable Shielding wire CVVS, CPEVS or MVVS	(C) Signal line/ Earth line
3-core 2.5 mm ²	2-core 1.25 mm ² Less Than 200 m	4-core 1.5 mm ² Less Than 25 m

When using twisted wire for the wiring, the use of round terminal is required.

Notes: 1. Wiring size must comply with the applicable local and national code.

2. Power supply cords and indoor unit/branch box/outdoor unit connecting cords shall not be lighter than polychloroprene sheathed flexible cord. (Design 60245 IEC 57)

3. Install an earth line longer than power cables.

4. Do not bundle the M-NET cable with the connection cable and power supply cable.
It may cause erroneous operation.

③ Reactor BOX (Optional parts)

When the product is used for a purpose other than as professional equipment, the Reactor BOX may be necessary.

	Branch box power supply method	
	Power supply from outdoor unit	Separate power supply
1-phase power supply	Unnecessary	Necessary
3-phase power supply	Necessary	Necessary

Warning:

Never splice the cable, otherwise it may result in a smoke, a fire or communication failure.

■ Power supply wiring (Supply power separately to branch box and outdoor unit)

- Install an earth line longer than other cables.
- Power supply cords of appliance shall not be lighter than design 245IEC57 or 227IEC57, 245 IEC 53 or 227 IEC 53.
- A switch with at least 3 mm, 1/8 inch contact separation in each pole shall be provided by the air conditioner installation.

[Fig. 8-10]

- Ⓐ Ground-fault interrupter
- Ⓑ Local switch/Wiring breaker
- Ⓒ Branch Box
- Ⓓ Pull box
- Ⓔ M-NET CONTROL INDOOR UNIT

8. Electrical work

Total operating current of the indoor unit	Minimum wire thickness (mm ²)			Capacity (A)	Fuse (A)	Breaker for wiring (NFB)	Ground-fault interrupter *1
	Main cable	Branch	Ground				
F0 = 16A or less *2	1.5	1.5	1.5	16	16	20	20A current sensitivity *3
F0 = 25A or less *2	2.5	2.5	2.5	25	25	30	30A current sensitivity *3
F0 = 32A or less *2	4.0	4.0	4.0	32	32	40	40A current sensitivity *3

Apply to IEC61000-3-3 about max. permissive system impedance.

*1 The Ground-fault interrupter should support inverter circuit.

The Ground-fault interrupter should combine using of local switch or wiring breaker.

*2 Please take the larger of F1 or F2 as the value for F0.

F1 = Total operating maximum current of the indoor units × 1.2

F2 = (V1/C)

Connect to Branch box (PAC-MK•BC)

Indoor unit	V1	V2	
Type 1 SEZ-KD•VA, PCA-RP•KAQ, PLA-ZRP•BA(UK)	19.8	2.4	
Type 2 PEAD-RP•JAQ(L).UK	26.9		
Type 3 MLZ-KA•VA, SLZ-KA•VAQ(L)3	9.9		
Type 4 MSZ-FH•VE, MSZ-SF•VE, MSZ-EF•VE, MSZ-SF•VA, MSZ-GF•VE	6.8		
Type 5 MFZ-KJ•VE, MSXY-FJ	7.4		
Type 6 Branch box (PAC-MK•BC)	5.1		3.0
Type 7 ecodan C generation*5	5.1		5.0*

Connect to Connection kit (PAC-LV11M)

Indoor unit	V1	V2
Type 1 MSY-EF•VE, MSY-GE•VA, MSY-GH, MSZ-GE•VA, MSZ-SF•VA, MSZ-SF•VE, MSZ-EF•VE, MSZ-FH•VE	6.8	2.4
Type 2 MFZ-KJ•VE	7.4	
Type 3 Connection kit (PAC-LV11M)	3.5	

Indoor unit	V1	V2	
Type 1 PMFY-VBM, PLFY-VBM, PEFY-VMS1, PCFY-VKM, PKFY-VHM, PKFY-VKM, PFFY-VLRMM, PFFY-VKM	19.8	2.4	
Type 2 PLFY-VCM	9.9		
Type 3 PKFY-VBM	3.5		
Type 4 PEFY-VMA	38.0		1.6
Type 5 PLFY-VLMD, PEFY-VMH, PEFY-VMR, PDFY-VM, PFFY-VLEM, PFFY-VLRM, PWFY-VM	0		0

*This value may increase due to a locally connected actuator.

C : Multiple of tripping current at tripping time 0.01s

Please pick up "C" from the tripping characteristic of the breaker.

Condition: Branch Box × 2 + SEZ-KD•VA × 5, C=8 (refer to right sample chart)

$$F2 = 5.1 \times 2/8 + 19.8 \times 5/8 = 14.9$$

*3 Current sensitivity is calculated using the following formula.

$$G1 = V2 + V3 \times (\text{Wire length[km]})$$

G1	Current sensitivity
30 or less	30 mA 0.1sec or less
100 or less	100 mA 0.1sec or less

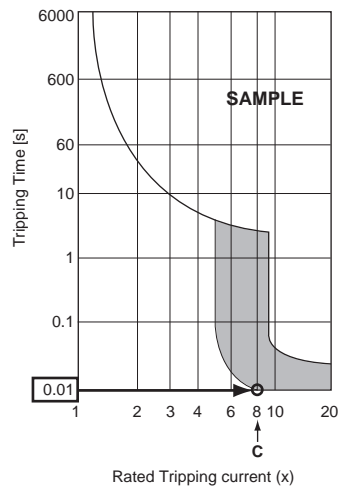
Wire thickness (mm ²)	V3
1.5	48
2.5	56
4.0	66

When connecting 3 units of the PLA-ZRP series respectively to the Branch Box 1.5mm² using 20m of wiring and connecting the Branch Box and PEFY-VMA to a single breaker using wiring totaling 100m in length;

$$G1 = 2.4 \times 3 + 3 + 1.6 + 48 \times 0.02 \times 3 + 56 \times 0.1 = 20.28$$

→ 30 mA Current sensitivity

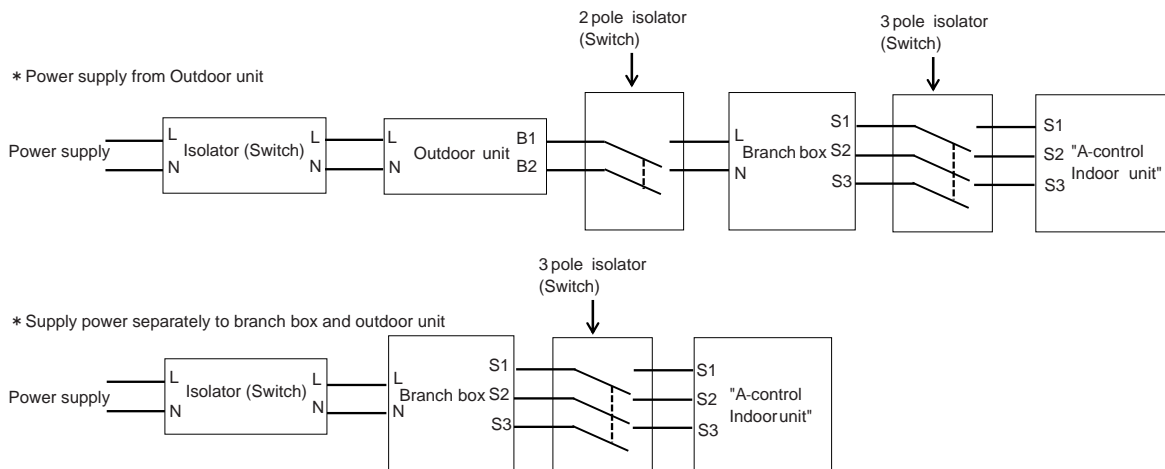
Sample chart



*5 When the ecodan is connected, the master controller (G-50A etc.) cannot be connected.

⚠ Warning:

In case of A-control wiring, there is high voltage potential on the S3 terminal caused by electrical circuit design that has no electrical insulation between power line and communication signal line. Therefore, please turn off the main power supply when servicing. And do not touch the S1, S2, S3 terminals when the power is energized. If isolator should be used between outdoor unit and branch box/indoor unit and branch box, please use 3-pole type.

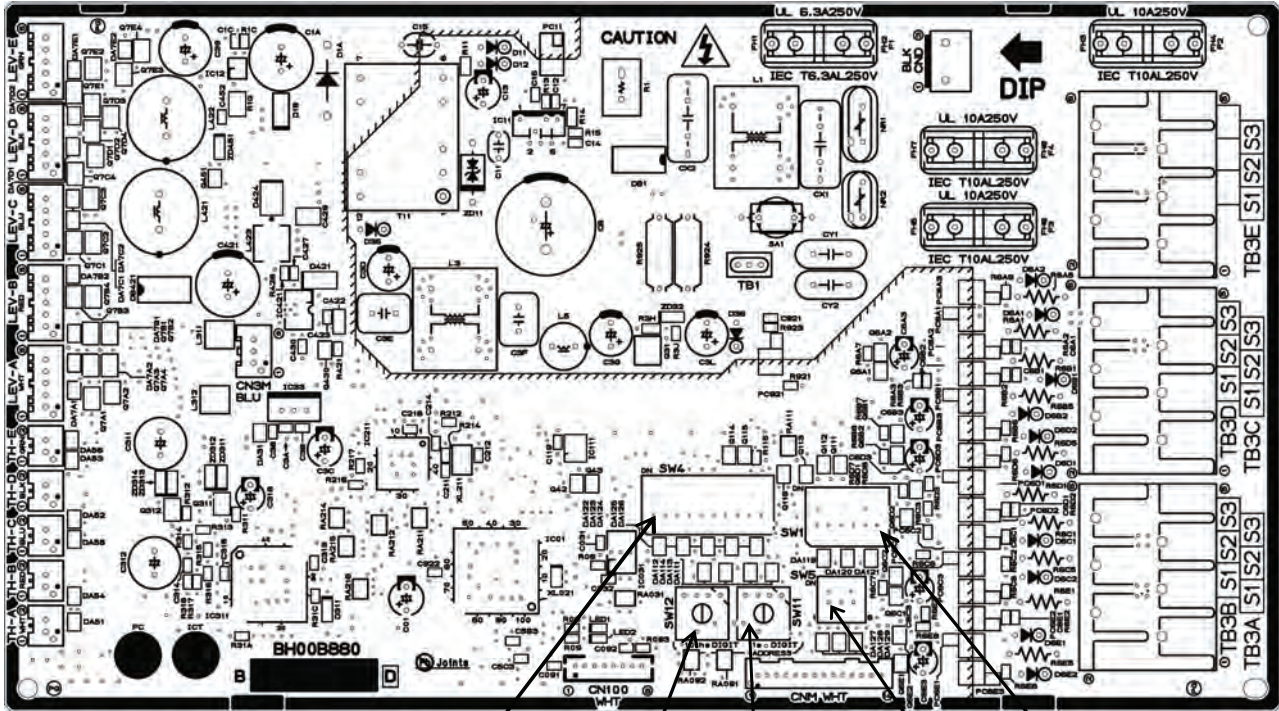


⚠ Caution:

After using the isolator, be sure to turn off and on the main power supply to reset the system. Otherwise, the outdoor unit may not be able to detect the branch box(es) or indoor units.

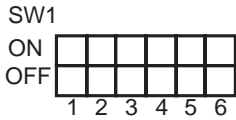
8. Electrical work

8.3. Switch setting

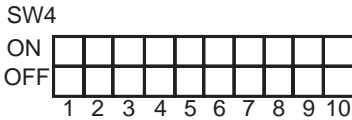


SW4 Model selection
SW12 Address setting TENS DIGIT
SW11 Address setting ONES DIGIT
SW5 Indoor unit setting
SW1 Indoor unit connections

Dip switch setting (Effective only before turning on the power)



(Example)
• When the indoor units are connected to Indoor unit A and C, turn SW1-1 and SW1-3 to on.



(Example)
• When the indoor unit is cooling only system, turn SW4-5 to on.

Indoor Unit A
Indoor Unit B
Indoor Unit C
Indoor Unit D
Indoor Unit E
Not used

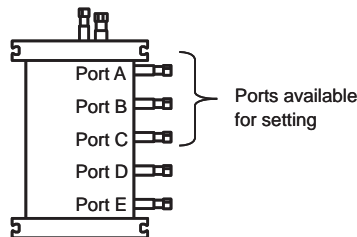
Switch	OFF	ON
SW1-1	Not connected	Connected
SW1-2	Not connected	Connected
SW1-3	Not connected	Connected
SW1-4	Not connected	Connected
SW1-5	Not connected	Connected
SW1-6		

Switch	OFF	ON
SW4-5	Cooling & Heating system	Cooling only system

When connecting the Cylinder or the Hydro box unit to the unit in the house, connect the air to air system indoor unit connected in the bedrooms to A to C ports and make the following switch settings below.

Also, after referring to the outdoor unit installation manual, add refrigerant. Port A to C are available for setting for up to a maximum of 3 rooms.

SW5			Port setting
4	5	6	
Off	Off	Off	Not specified
On	Off	Off	Port A
Off	On	Off	Port B
On	On	Off	Port A+B
Off	Off	On	Port C
On	Off	On	Port A+C
Off	On	On	Port B+C
On	On	On	Port A+B+C



Address switch (Effective only before turning on the power)

Actual indoor unit address setting varies in different systems. Refer to the installation manual for the outdoor unit for details on how to make the address setting. Each address is set with a combination of the settings for the tens digit and ones digit.

- (Example)
- When setting the address to "3", set the ones digit to 3, and the tens digit to 0.
 - When setting the address to "25", set the ones digit to 5, and the tens digit to 2.

- (Example)
- When setting the address of the branch BOX to "3", an address is assigned to each indoor unit starting with Unit A as shown below no matter if each indoor unit is connected. (SW1-1~5 ON)

Indoor Unit A	Address 3
Indoor Unit B	Address 4
Indoor Unit C	Address 5
Indoor Unit D	Address 6
Indoor Unit E	Address 7
 - When the address is set to "25" and also 3 indoor units (Unit A, Unit C, and Unit E) are connected. (SW1-1, 1-3, 1-5 ON)

Indoor Unit A	Address 25
Indoor Unit C	Address 26
Indoor Unit E	Address 27

9. Test run

- Refer to the "Test run" section of the installation manual of the indoor units and outdoor unit.
- When the branch box and outdoor power source are separate, turn on the power of the branch box first, and then turn on the outdoor unit power.

• After power is supplied or after an operation stop for a while, a small clicking noise may be heard from the inside of the branch box. The electronic expansion valve is opening and closing. The unit is not faulty.

- Be sure to perform the test run in cooling mode for each indoor unit. Make sure each indoor unit operates properly following the installation manual attached to the unit.
- If you perform the test run for all indoor units at once, you cannot detect any erroneous connection, if any, of the refrigerant pipes and the indoor/outdoor unit connecting wires.
- To check for improper wiring, perform the test run for each indoor unit individually.

⚠ Caution:

- Use the remote controller to operate the indoor unit.
- The following symptoms are not malfunctions.

Symptom	Cause	Indoor unit LED display *
Indoor unit does not operate even if set to cooling (heating) operation	The cooling (heating) operation cannot be operated when the heating (cooling) operation of another indoor unit is operating.	Stand by (For Multi System)
Indoor unit fan stops during heating operation	The fan stops during defrosting operation.	-
	Fan stops when the refrigerant collecting mode ** is activated.	Stand by (For Multi System)

* See the operation manual of indoor units for details.

** This mode is activated for approximately 1 minute to help avoid an insufficient supply of refrigerant during heating operation when refrigerant is stored in an indoor unit that has been turned off or thermo-off.

Содержание

1. Меры предосторожности	145	5. Трубопровод хладагента	149
2. Выбор места монтажа	145	6. Монтаж ответвительной коробки	150
3. Проверка комплектности поставки	146	7. Установка трубопровода хладагента	150
4. Размеры ответвительной коробки и необходимого сервисного пространства	146	8. Электрические работы	152
		9. Выполнение испытания	157

Данное руководство по монтажу относится только к установке ответвительной коробки. Информация об установке внутренних приборов и наружного прибора приводится в руководстве по монтажу, прилагаемому к каждому прибору.

1. Меры предосторожности

- ▶ До установки прибора убедитесь, что Вы прочли все “Меры предосторожности”.
- ▶ Пожалуйтесь, перед подключением данного оборудования к системе электропитания, сообщите об этом своему поставщику электропитания или получите его разрешение.
- ▶ Серия PAC-MK•BC разработана для эксплуатации в качестве профессионального оборудования.
При установке прибора в обычном доме устанавливайте дополнительную коробку реактора (PAC-RB01BC) для подавления гармоник.
- ▶ При подаче питания от наружного прибора требования стандартов, применяемые к наружному прибору, могут не соблюдаться в зависимости от используемого внутреннего прибора.

⚠ Предупреждение:

Описывает меры предосторожности, необходимые для предотвращения получения травмы или гибели пользователя.

⚠ Предупреждение:

- Прибор не должен устанавливаться пользователем.
- Для выполнения установки прибора обратитесь к дилеру или сертифицированному техническому специалисту.
- При установочных работах следуйте инструкциям в Руководстве по установке и используйте инструменты и детали трубопроводов, специально предназначенные для использования с хладагентом, указанным в руководстве по установке наружного прибора.
- Прибор должен быть установлен согласно инструкциям, чтобы свести к минимуму риск повреждения от землетрясений, тайфунов или сильных порывов ветра. Неправильно установленный прибор может упасть и причинить повреждение или нанести травму.
- Прибор должен быть установлен на конструкции, способной выдержать его вес.
- Если кондиционер установлен в небольшом помещении, необходимо принять меры для предотвращения концентрации хладагента свыше безопасных пределов в случае утечки хладагента. В случае утечки хладагента и превышении допустимой его концентрации из-за нехватки кислорода в помещении может произойти несчастный случай.
- Если во время работы прибора произошла утечка хладагента, проветрите помещение. При контакте хладагента с пламенем образуются ядовитые газы.
- Все электроработы должны выполняться квалифицированным техническим специалистом в соответствии с местными правилами и инструкциями, приведенными в данном Руководстве.
- Используйте только указанные кабели для электропроводки.
- Крышка клеммной коробки должна быть надежно присоединена к прибору.
- Используйте только те дополнительные принадлежности, на которые имеется разрешение от Mitsubishi Electric; для их установки обратитесь к дилеру или уполномоченному техническому специалисту.
- Пользователю не следует пытаться ремонтировать прибор или перемещать его на другое место.
- По окончании установки убедитесь в отсутствии утечки хладагента. Если хладагент проникнет в помещение и произойдет контакт его с пламенем обогревателя или переносного пищевого нагревателя, образуются ядовитых газов.
- Обязательно подключайте кабели электропитания и соединительные провода внутренних приборов, наружных приборов и ответвительных коробок непосредственно к приборам (без промежуточных соединений). Промежуточные соединения могут привести к ошибкам связи, если вода попадет в кабели или провода и приведет к недостаточной изоляции заземления или плохому электрическому контакту в точке промежуточного соединения.
(Если промежуточное соединение необходимо, обязательно предпримите меры по предотвращению проникновения воды в кабели и провода.)

2. Выбор места монтажа

* Ответвительная коробка предназначена только для использования внутри помещения.

Пожалуйста, прикрепите специальную дополнительную крышку (PAC-AK350CVR-E), чтобы установить ответвительную коробку вне помещения.

- Убедитесь, что ответвительная коробка установлена в месте, обеспечивающем простое сервисное и техническое обслуживание. (убедитесь в наличии необходимого окна технического обслуживания и сервисного пространства).

- Не осуществляйте установку около спальных комнат. Иногда можно услышать звук хладагента, протекающего по трубопроводу.
- Обязательно осуществляйте установку в том месте, где шум работы не будет представлять собой проблему.

После подачи питания или спустя некоторое время после отключения, внутри ответвительной коробки можно услышать негромкий щелкающий шум. Происходит открытие и закрытие электронного регулирующего вентиля. Прибор исправен.

⚠ Осторожно:

Описывает меры предосторожности, необходимые для предотвращения повреждения прибора.

После окончания установочных работ проинструктируйте пользователя относительно правил эксплуатации и обслуживания аппарата, а также ознакомьте с разделом “Мера предосторожности” в соответствии с информацией, приведенной в Руководстве по использованию аппарата, и выполните тестовый прогон аппарата для того, чтобы убедиться, что он работает нормально. Обязательно передайте пользователю на хранение экземпляры Руководства по установке и Руководства по эксплуатации. Эти Руководства должны быть переданы и последующим пользователям данного прибора.



: Указывает, что данная часть должна быть заземлена.

⚠ Предупреждение:

Внимательно прочтите текст на этикетках главного прибора.

⚠ Осторожно:

- Убедитесь в надежности изоляции труб хладагента для предотвращения конденсации.
Неполная изоляция может привести к конденсации на поверхности труб, появлению влаги на потолке, полу и другом важном имуществе.
- Не используйте прибор в нестандартной окружающей среде. Если кондиционер устанавливается в местах, подверженных воздействию пара, летучих масел (включая машинное масло) или сернистого газа, а также в местах с повышенной концентрацией соли, например на берегу моря, эффективность работы кондиционера может значительно снижаться, а его внутренние части могут быть повреждены.
- Не устанавливайте прибор в местах, где возможна утечка, возгорание, приток или накопление горючих газов. Если горючий газ будет накапливаться вокруг прибора, это может привести к возникновению пожара или к взрыву.
- При монтаже прибора в больнице или центре связи следует принимать во внимание шумовые и электронные помехи. Работа таких устройств, как инверторы, бытовые приборы, высокочастотное медицинское оборудование и оборудование радиосвязи, может вызывать сбои в работе кондиционера или его поломку. Кроме того, кондиционер может влиять на работу медицинского оборудования и на медицинское обслуживание, а также на работу коммуникационного оборудования, вызывая искажение изображения на дисплее.
- Тепловая изоляция труб хладагента необходима для предотвращения образования конденсата. Если труба хладагента не изолирована должным образом, то это приведет к образованию конденсата.
- Для предотвращения образования конденсата нанесите на трубы тепловую изоляцию. Если дренажная труба установлена неправильно, то это может привести к протечке воды, повреждению потолка, пола, мебели или другого имущества.
- Не мойте кондиционер водой. Это может привести к поражению электрическим током.
- Затягивайте все гайки раструбного стыка в соответствии со спецификациями, используя ключ с регулируемым усилием. При слишком сильной затяжке гайка раструбного стыка может выйти из строя по прошествии некоторого времени.
- Обязательно установите автоматические выключатели. В противном случае возможно поражение электрическим током.
- Для электропроводки используйте стандартные кабели достаточной мощности. В противном случае может произойти короткое замыкание, перегрев или возгорание.
- При монтаже электропроводки не натягивайте кабель. При ослаблении соединений кабель может отсоединиться или порваться, что может привести к перегреву или возникновению пожара.
- Не подсоединяйте провода заземления к газовым или водопроводным трубам, громоотводам или к заземлению телефонных линий. Если прибор не заземлен должным образом, то это может привести к поражению электрическим током.

- Определите маршрут прокладки трубопровода хладагента, дренажного трубопровода и электропроводки заранее.
- Убедитесь в том, что место монтажа находится в указанных пределах по длине трубопровода хладагента.

- Не осуществляйте установку в месте, в котором тепло или влажно в течение продолжительных периодов времени.

- Убедитесь, что ответвительная коробка установлена над потолком коридора, ванной комнаты и т.д., в таком месте, где люди бьвают нечасто (избегайте установки в центре помещения) для проведения обслуживания.

* Убедитесь, что прибор устанавливается в месте, способном выдержать его вес.

⚠ Предупреждение:

Убедитесь, что прибор надежно устанавливается в месте, способном выдержать его вес.

Если место монтажа недостаточно прочное, прибор может упасть и причинить травмы.

3. Проверка комплектности поставки

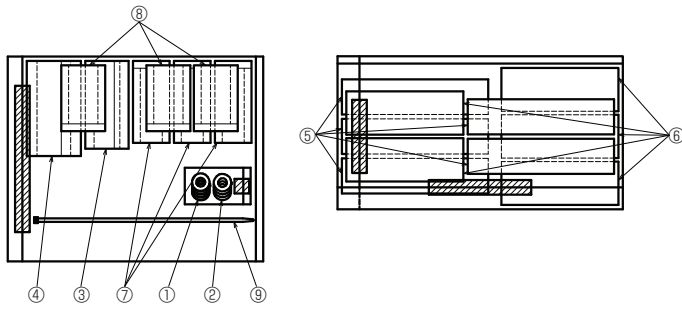


Fig. 3-1

3.1. Проверьте принадлежности и детали ответвительной коробки

	Наименование принадлежности	Кол-во		
		РАС-МК31BC	РАС-МК51BC	
①	Прокладка (с изоляцией)	4	4	
②	Прокладка	4	4	
③	Крышка трубы (жидкостной)	1	1	К наружному прибору
④	Крышка трубы (газовой)	1	1	К наружному прибору
⑤	Крышка трубы (жидкостной)	3	5	К внутреннему прибору
⑥	Крышка трубы (газовой)	3	5	К внутреннему прибору
⑦	накладка (жидкостной)	1	3	
⑧	накладка (газовой)	1	3	
⑨	Зажим	16	24	

4. Размеры ответвительной коробки и необходимого сервисного пространства

Дополнительные различные (деформированные) стыки

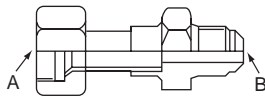


Fig. 4-1

Наименование модели	Диаметр подсоединяемых труб	Диаметр А	Диаметр В
	ММ		
MAC-A454JP	ø9,52 → ø12,7	ø9,52	ø12,7
MAC-A455JP	ø12,7 → ø9,52	ø12,7	ø9,52
MAC-A456JP	ø12,7 → ø15,88	ø12,7	ø15,88
РАС-493PI	ø6,35 → ø9,52	ø6,35	ø9,52
РАС-SG76RJ-E	ø9,52 → ø15,88	ø9,52	ø15,88

■ РАС-МК51BC (тип с 5 ответвлениями)

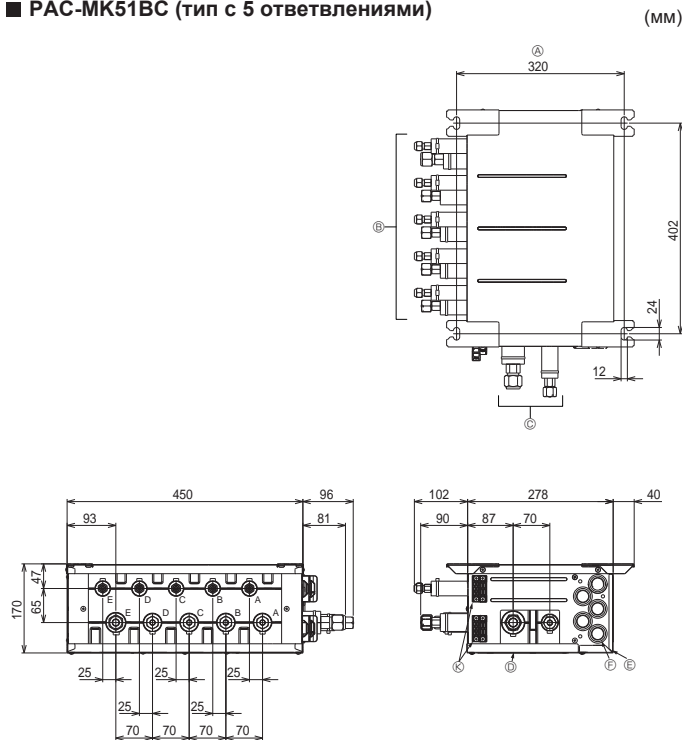


Fig. 4-2

- * Пожалуйста, подключите два или несколько внутренних приборов к одной системе.
- * К одному наружному прибору можно подключить ответвительные коробки по схеме 1-2.
- * Подвесной болт: W3/8(M10)
- * Фланцевое соединение трубы хладагента

* Размер трубопроводного соединения отличается в зависимости от типа и мощности внутренних приборов. Подберите размеры трубопроводного соединения для внутреннего прибора и ответвительной коробки. Если размер трубопроводного соединения ответвительной коробки не совпадает с размером трубопроводного соединения внутреннего прибора, воспользуйтесь дополнительными стыками (деформированными) с различными диаметрами, чтобы подсоединить их к стороне ответвительной коробки. (Подсоедините деформированный стык непосредственно к стороне ответвительной коробки.)

- А Расстояние между подвесными болтами
- Б К внутреннему прибору
- В К наружному прибору
- Г Сервисная панель (для LEV, THERMISTOR)
- Д Крышка электрооборудования
- Е Резиновая втулка
- Ж Клеммная колодка (к внутреннему прибору на панели управления)
- З Клеммная колодка (к наружному прибору)
- И Клеммная колодка (для кабеля связи)
- К Кабельный зажим

* Убедитесь, что ответвительная коробка установлена в соответствии с рисунком ниже.

■ РАС-МК51BC (Fig.4-2)

Подвесной болт: W3/8 (M10)

Фланцевое соединение трубы хладагента

ММ

	А	В	С	Д	Е	К наружному прибору
Труба для жидкости	ø6,35	ø6,35	ø6,35	ø6,35	ø6,35	ø9,52
Труба для газа	ø9,52	ø9,52	ø9,52	ø9,52	ø12,7	ø15,88

Формула преобразования

1/4 F	ø6,35
3/8 F	ø9,52
1/2 F	ø12,7
5/8 F	ø15,88
3/4 F	ø19,05

4. Размеры ответвительной коробки и необходимого сервисного пространства

■ PAC-MK31BC (тип с 3 ответвлениями)

(мм)

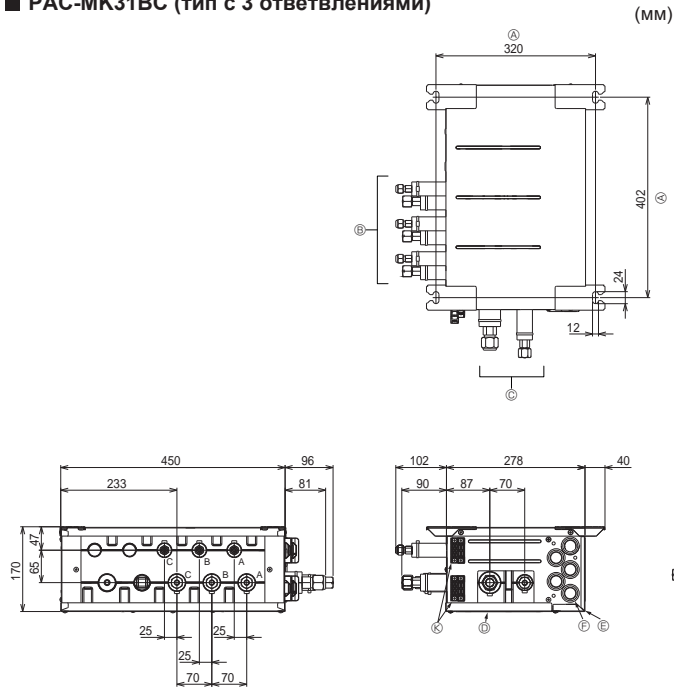


Fig. 4-3

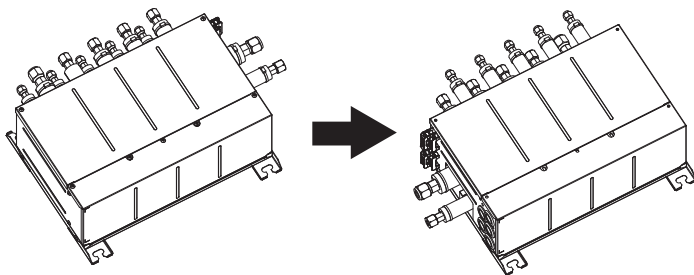
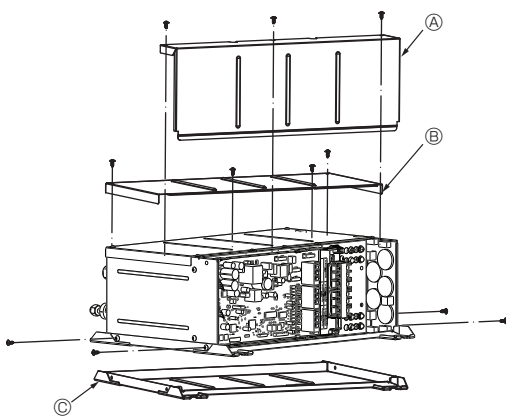


Fig. 4-4

② Снимите крышку электрооборудования, сервисную панель и верхнюю панель.

- А Крышка электрооборудования
- В Сервисная панель
- С Верхняя панель

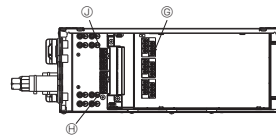


■ PAC-MK31BC (Fig.4-3)

Подвесной болт: W3/8 (M10)

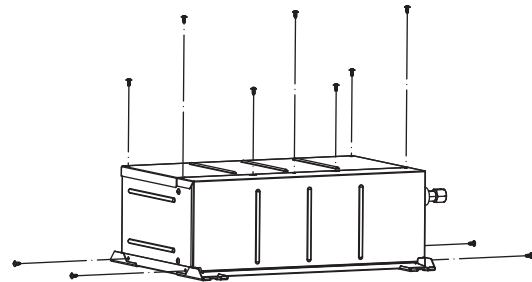
Раструбное соединение трубы хладагента

	мм			
	A	B	C	К наружному прибору
Труба для жидкости	ø6,35	ø6,35	ø6,35	ø9,52
Труба для газа	ø9,52	ø9,52	ø9,52	ø15,88



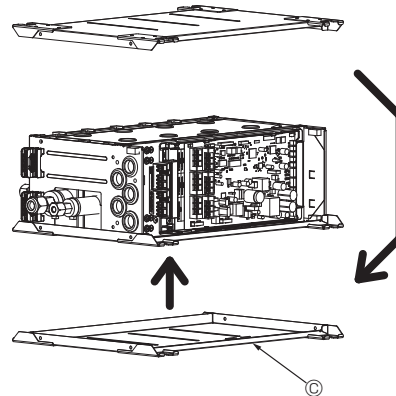
4.1. Направление трубопровода может быть изменено. (Fig. 4-4). [Рабочая процедура] (Fig. 4-5)

① Снять винты в каждой части.



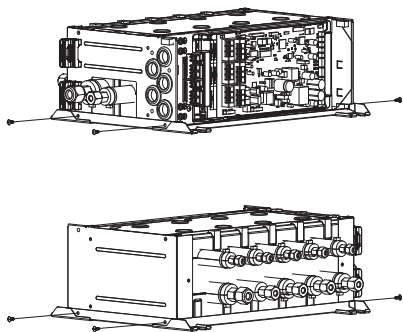
③ Установите верхнюю панель на противоположную поверхность.

С Верхняя панель

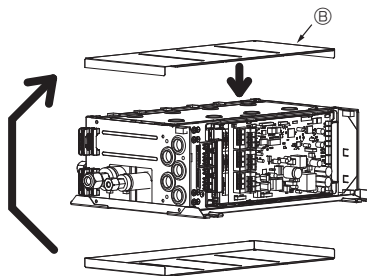


4. Размеры ответвительной коробки и необходимого сервисного пространства

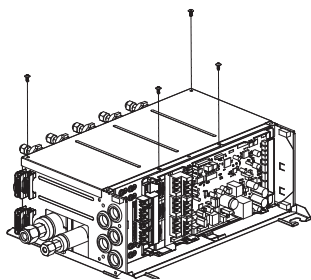
④ Затяните винты на каждой части.



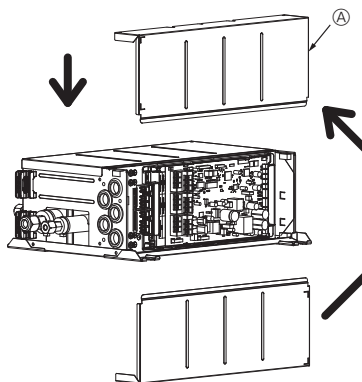
⑤ Установите верхнюю панель на противоположную поверхность.
Ⓑ Сервисная панель



⑥ Затяните винты.



⑦ Установите сервисную панель на противоположную поверхность.
Ⓐ Крышка электрооборудования



⑧ Затяните винты.

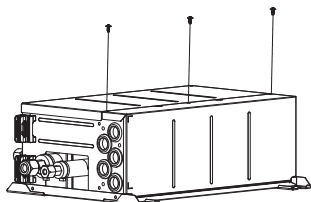


Fig. 4-5

4. Размеры ответвительной коробки и необходимого сервисного пространства

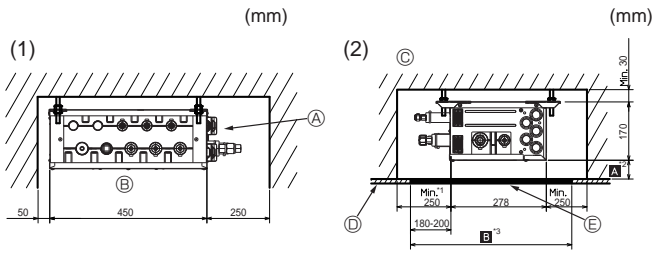


Fig. 4-6

Fig. 4-7

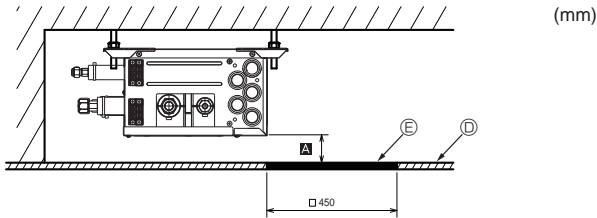


Fig. 4-8

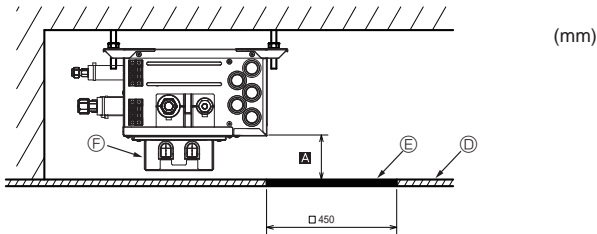


Fig. 4-9

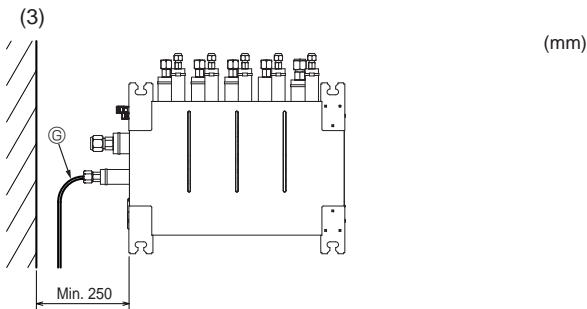


Fig. 4-10

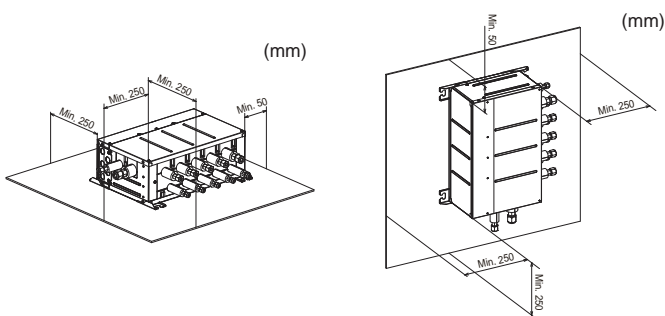


Fig. 4-11

Fig. 4-12

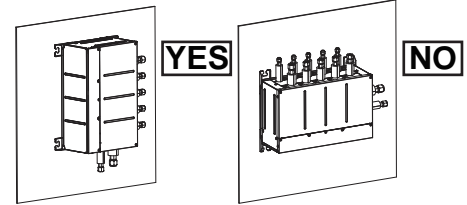
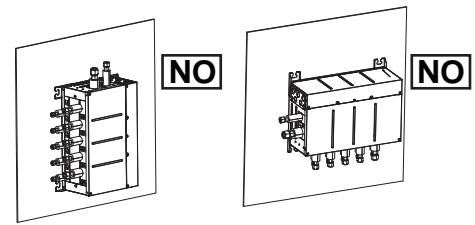


Fig. 4-13

4.2. Место, необходимое для установки и обслуживания

I. Пространство при установке с помощью подвесных болтов.

(1) Вид спереди (Fig. 4-6)

Ⓐ Ответвительная коробка

Ⓑ Со стороны трубопроводов

(2) Вид сбоку (Fig. 4-7, Fig. 4-8, Fig. 4-9)

Ⓒ Для установки внутри помещения

Ⓓ Потолочная доска

Ⓔ Окно технического обслуживания

Ⓕ Коробка реактора (опция)

*1: Для сгибов в 90° в трубопроводе хладагента необходимый минимальный радиус составляет 350 мм.

*2: Ⓐ - "мин. 200 мм" <рекомендация>.

В случае, если цифра составляет менее 200 мм (например, если Ⓐ = 100 мм), работа по замене ответвительной коробки из отверстия техобслуживания затрудняется (имеется возможность замены только печатной платы, витков линейного расширительного клапана, датчиков и дренажного поддона).

Чтобы установить дополнительную коробку реактора, задайте мин. 270 мм <рекомендация> (Fig. 4-9). Ⓐ

*3: Ⓑ составляет "□ 600 мм" <рекомендация>.

В случае "□ 450" подготовьте отверстие для техобслуживания со стороны печатной платы (как показано на Fig. 4-8, Fig. 4-9), при этом в качестве расстояния Ⓐ необходимо "минимум 300 мм".

В случае, если цифра составляет менее 300 мм (например, если Ⓐ = 100 мм), работа по замене ответвительной коробки, витков линейного расширительного клапана, датчиков и дренажного поддона из отверстия техобслуживания затрудняется (имеется возможность замены только печатной платы).

(3) Вид сверху (Fig. 4-10)

Ⓒ Трубопровод хладагента

II. Пространство при установке на полу. (Fig. 4-11)

III. Пространство при установке на стену. (Fig. 4-12)

Направление монтажа ограничено при установке на стену. (Fig. 4-13)

При установке на стену трубопровод, подсоединяемый к наружному прибору, следует направлять вниз. Другие способы неприемлемы.

5. Трубопровод хладагента

* Всегда следуйте спецификациям, приведенным в руководстве по монтажу наружного прибора. Превышение указанных требований может привести к снижению производительности оборудования и неисправностям.

6. Монтаж ответвительной коробки

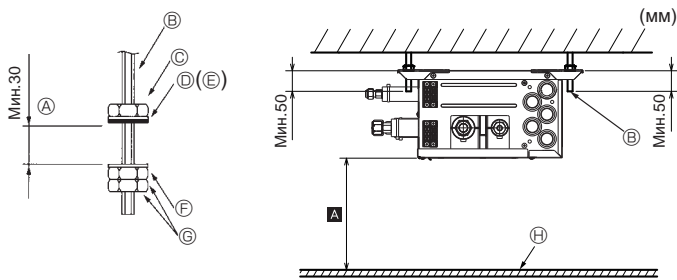


Fig. 6-1

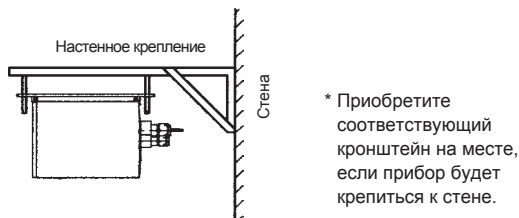
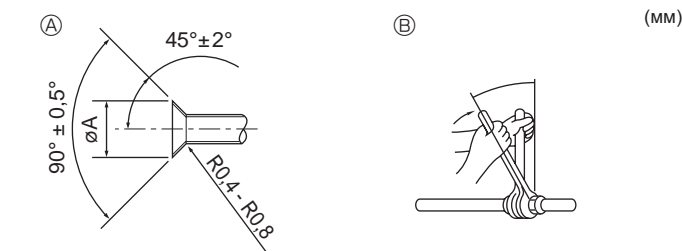


Fig. 6-2

- (1) Установите подвесные болты (приобретаются на месте), соблюдая указанный шаг (Fig. 4-2, 4-3).
- (2) Наденьте прокладки и гайки (1, 2, приобретаются на месте) на подвесные болты. (Fig. 6-1)
- (3) Повесьте прибор на подвесные болты.
- (4) Полностью затяните гайки (проверьте высоту потолка).
- (5) Воспользуйтесь уровнем для вертикальной регулировки ответвительной коробки.

- Ⓐ Прибор подвешен, гайки затянуты
- Ⓑ Подвесной болт
- Ⓒ Гайка
- Ⓓ Прокладка (с подушкой) ①
- Ⓔ Убедитесь, что подушка смотрит вниз
- Ⓕ Прокладка (без подушки) 2
- Ⓖ Гайка (приобретается на месте)
- Ⓗ Потолочная доска.

7. Установка трубопровода хладагента



- Ⓐ Раструбный стык - размеры
- Ⓑ Момент затяжки гайки раструбного стыка

Fig. 7-1

- Ⓐ Раструбный стык - размеры

Таблица 1

Медная труба O.D (мм)	Размеры раструба, диаметр A (мм)
ø6,35	8,7-9,1
ø9,52	12,8-13,2
ø12,7	16,2-16,6
ø15,88	19,3-19,7

- Ⓑ Момент затяжки гайки раструбного стыка

Таблица 2

Медная труба O.D (мм)	Гайка раструбного стыка O.D. (мм)	Момент затяжки (Н·м)*
ø6,35	17	14-18
ø6,35	22	34-42
ø9,52	22	34-42
ø9,52	26	49-61
ø12,7	26	49-61
ø12,7	29	68-82
ø15,88	29	68-82
ø15,88	36	100-120

*1 N·m ≈ 10 kgf·cm

- ▶ Подключите жидкостную и газовую трубу каждого внутреннего прибора к тем же номерам концевых соединений, указанных на секции фланцевого соединения внутреннего прибора каждой ответвительной коробки. При подключении к неправильным номерам концевых соединений оборудование будет работать неправильно.
- ▶ При подключении внутренних приборов, обязательно подсоединяйте трубы хладагента и соединительные провода к соответствующим соединительным портам, соблюдая буквенные обозначения. (Например: A, B, C, D, E)

Примечание:

Обязательно нанесите отметки на все местные трубопроводы хладагента (жидкостные трубы, газовые трубы и т.д.) каждого внутреннего прибора с четким обозначением помещения, в котором он установлен. (Например: A, B, C, D, E)

- ▶ Составьте список моделей внутренних приборов на шильдике блока управления ответвительной коробки (в целях идентификации).

- Выполните необходимые противоконденсатные и изоляционные работы, чтобы предотвратить просачивание воды из труб хладагента (труба для жидкости/труба для газа).
- Усиьте изоляцию в зависимости от окружающей среды, в которой устанавливается трубопровод хладагента, или если есть вероятность появления конденсата на поверхности изоляционного материала. (Термостойкость изоляционного материала: 120 °C, толщина: 15 мм или более)
- * Если трубопровод хладагента используется в местах, подверженных воздействию высокой температуры и влажности, например, в чердачных помещениях, может потребоваться дополнительная изоляция.
- Для изоляции трубопровода хладагента нанесите теплоустойчивый пенополиэтилен между внутренним прибором и изоляционным материалом, а также на сетку между изоляционным материалом, заполняя все отверстия. (Образование конденсата на трубопроводе может привести к появлению конденсата в помещении или к получению ожогов при контакте с трубопроводом.)
- ▶ При использовании имеющегося в продаже трубопровода хладагента, убедитесь, что и жидкостный, и газовый трубопроводы обернуты имеющимися в продаже теплоизоляционными материалами (изоляционные материалы толщиной не менее 12 мм, способные выдерживать температуры свыше 100 °C).
- ▶ При создании вакуума и открытии или закрытии вентилей см. руководство по эксплуатации наружного прибора.
 - (1) Снимите конусные гайки и крышки с ответвительной коробки.
 - (2) Развальцуйте концы жидкостного и газового трубопроводов и нанесите охлаждающее масло (приобретается на месте) на развальцованное место. Запрещается наносить масло на резьбовой части.
 - (3) Сразу же подсоедините трубопровод хладагента. Всегда затягивайте конусные гайки до крутящего момента, указанного в таблице ниже, с помощью тарированного ключа и двойного гаечного ключа.
 - (4) Прижмите крышки труб ③ и ⑤ на жидкостном трубопроводе к прибору и оберните их, чтобы зафиксировать на месте. (Fig. 7-3)
 - (5) Прижмите крышки труб ④ и ⑥ на газовом трубопроводе к прибору и оберните их, чтобы зафиксировать на месте.
 - (6) Прикрепите входящие в комплект поставки зажимы ⑨ на расстоянии в 10 - 20 мм от каждого конца крышек труб (③ ④ ⑤ ⑥).
 - (7) Если внутренний прибор не подсоединен, наденьте входящие в комплект крышки труб (с колпачками, ⑦ и ⑧) на соединения трубопровода хладагента ответвительной коробки для предотвращения вытекания конденсата из труб. (Fig. 7-4)
 - (8) Затяните крышки труб (⑦ ⑧) на месте с помощью входящих в комплект поставки зажимов ⑨.

7. Установка трубопровода хладагента

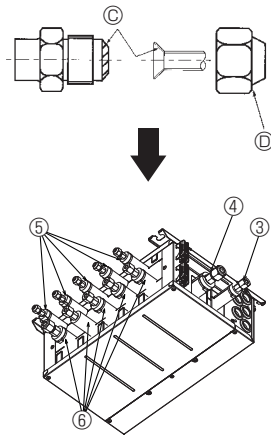


Fig. 7-2

⚠ Осторожно:

Затяните конусную гайку тарированным ключом, соблюдая указанный способ.

Чрезмерная затяжка приведет к разлому конусной гайки, а со временем приведет к утечке хладагента.

- ⓐ Нанесите охлаждающее масло на всю (Fig. 7-3) поверхность развальцованного места.
- ⓑ Мы рекомендуем пользоваться конусными гайками, прикрепленными к корпусу (имеющиеся в продаже конусные гайки могут треснуть).

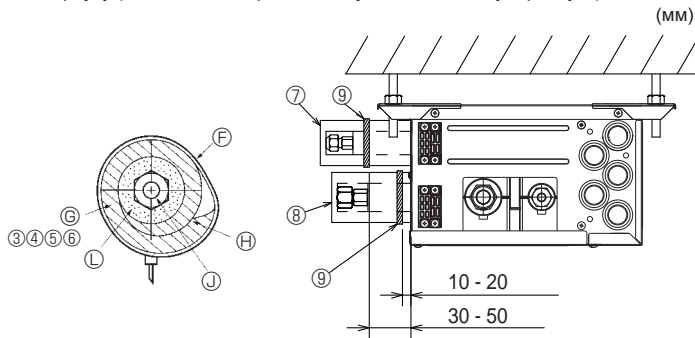


Fig. 7-3

Fig. 7-4

Примечание:
Для некоторых внутренних приборов необходима специальная конусная гайка (дополнительная принадлежность или входит в комплект поставки внутреннего прибора).
Подробнее см. руководство по установке наружного прибора и внутреннего прибора.

- ⓑ Зажим ⑨
- ⓐ Крышки труб ③④⑤⑥
- ⓑ Затяните
- ⓐ Трубопровод хладагента
- ⓐ Теплоизоляция трубопровода хладагента

► Выполните следующие процедуры, относящиеся к деталям ответственной коробки, которые не подключены к внутреннему прибору. (Fig. 7-4)

(1) Для предотвращения утечек хладагента, убедитесь в том, что конусные гайки затянуты в соответствии со значениями крутящего момента*, указанными в Таблице 3.

* Утечки хладагента также могут возникать по причине затяжки конусных гаек с превышением указанных крутящих моментов.

(2) Для предотвращения конденсации установите крышки труб ⑦ ⑧ и затяните их входящими в комплект поставки зажимами ⑨.

Таблица 3

Диаметры ответственных коробок для подключения внутренних приборов (мм)	Крутящий момент затяжки (Н·м)
∅6,35	13 ± 2
∅9,52	30 ± 2
∅12,7	50 ± 2

► Зарядка хладагента:

См. руководство по монтажу наружного прибора.

Используйте только хладагент R410A (использование других хладагентов может привести к неприятностям).

⚠ Осторожно:

Во избежание чрезмерного натяжения на ответственной коробке установите одну или несколько опор для трубопровода на расстоянии 1,5 м или менее от ответственной коробки. См. рисунок 7-5 в качестве примера.

- ⓐ Трубопровод хладагента
- ⓐ Теплоизоляция для трубопровода хладагента

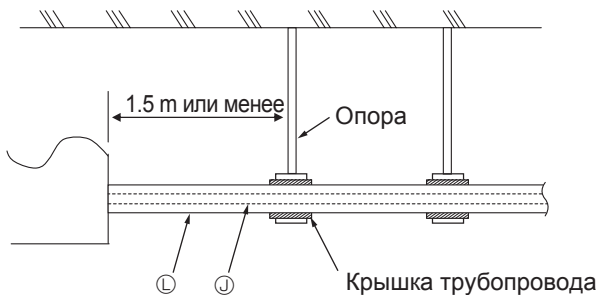


Fig. 7-5

8. Электрические работы

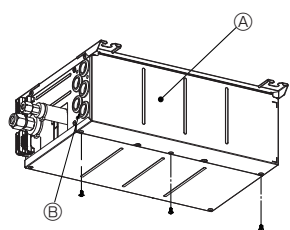


Fig. 8-1

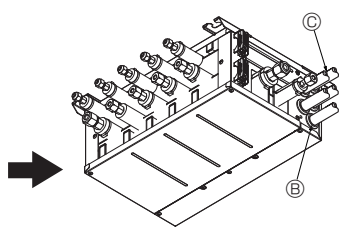


Fig. 8-2

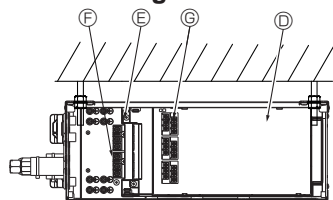


Fig. 8-3

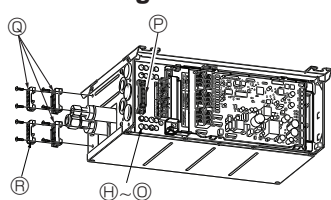


Fig. 8-4

- А Крышка электрооборудования
- Б Резиновая втулка
- В Проводка
- Г Плата контроллера
- Е Клеммная колодка: ТВ5
- Ф Клеммная колодка: ТВ2В <к наружному прибору>
- Г Клеммная колодка: ТВ3А-ТВ3Е <к внутреннему прибору>
- Н Зажим заземления <к наружному прибору>

- И Зажим заземления <Для ТВ3А>
- К Зажим заземления <Для ТВ3В>
- Л Зажим заземления <Для ТВ3Д>
- М Зажим заземления <Для ТВ3С>
- Н Зажим заземления <Для ТВ3Е>
- О Зажим заземления <на другую ответвительную коробку>
- П Кабельный зажим <Для ТВ2В>
- С Кабельный зажим <Для ТВ3А-ТВ3Е>
- В Кабельный зажим <Для ТВ5>

► Меры предосторожности при электротехнических работах.

⚠ Предупреждение:

- Всегда используйте соответствующие контуры с прерывателями при номинальном напряжении. Контуры электропитания недостаточной мощности и низкое качество работ при установке могут привести к поражению электрическим током или пожару.

⚠ Осторожно:

- Обязательно подключите заземление. Не заземляйте прибор к трубам коммунальных служб, громоотводу или телефонному заземлению.

Недостаточное заземление может привести к поражению электрическим током. Сверхток из-за молнии или других источников может повредить кондиционер.

- Пользуйтесь указанной электропроводкой и проверяйте правильность подключения, также следите за тем, чтобы провода не были натянуты. Несоблюдение данных требований может привести к обрыву проводки, перегреву или пожару.

► Перед включением ответвительной коробки убедитесь в том, что переключатели настроены.

► Чтобы включить питание, сначала включите ответвительную коробку, а затем наружный прибор.

(Если источники питания ответвительной коробки и наружного прибора отдельные.)

- Электропроводка, соединяющая ответвительную коробку и наружный прибор, а также ответвительную коробку и внутренние приборы, работает и как источник питания, и как сигнальная кабель. Подключайте данную проводку в соответствии с номерами клеммной колодки для обеспечения правильной полярности.

► Убедитесь, что соответствующий трубопровод хладагента и электропроводка подключены к каждому внутреннему прибору. Неправильная электропроводка будет препятствовать надлежащей работе прибора.

► Подключите трубы хладагента и соединительные провода к соответствующим портам, соблюдая буквенные обозначения (Например: А, В, С, D, E) на данном приборе.

► Всегда прикрепляйте каждый провод заземления отдельно с помощью винта заземления.

► Чтобы проводку, проложенную в потолке, не прогрызли крысы и т.п. ее следует прокладывать в кабелепроводе.

1. Выньте винты из крышки. (Fig. 8-1)
2. Пропустите проводку в ответвительную коробку, закрепляя каждый провод на соответствующем месте зажимом.
3. Надежно закрепите каждый провод к соответствующей клеммной колодке. (Fig. 8-8)
4. Установите двухпозиционный переключатель. (См. 8.3)
5. Установите крышку электрооборудования на место.

8.1. При использовании кабелепровода (Fig. 8-5,6,7)

Установите на место горизонтальную крышку после закрепления кабелепровода.

- А Крышка
- Б Кабелепровод
- С Прокладка
- Д Гайка

Можно использовать кабелепровод с наружным диаметром до 1".

- (1) При использовании кабелепровода с наружным диаметром в 1", снимите втулку и прикрепите ее к ответвительной коробке. Снимите горизонтальную крышку и прикрепите ее к ответвительной коробке.
- (2) При использовании кабелепровода с наружным диаметром в 3/4" или меньше, сделайте вырез во втулке и вставьте кабелепровод примерно на 100 мм в ответвительную коробку.

* Установите на место горизонтальную крышку после закрепления кабелепровода.

⚠ Осторожно:

Во избежание чрезмерного натяжения на ответвительной коробке установите одну или несколько опор для кабелепровода Б на расстоянии 1,5 м или менее от ответвительной коробки.

См. рисунок 8-7 в качестве примера.

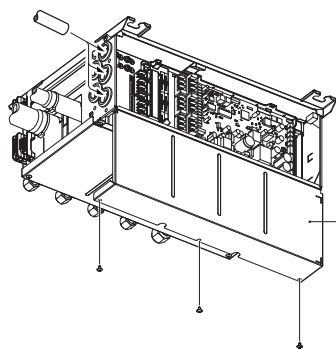


Fig. 8-5

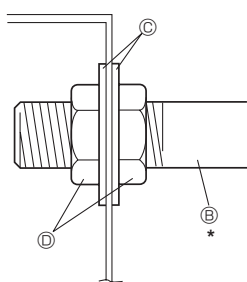


Fig. 8-6

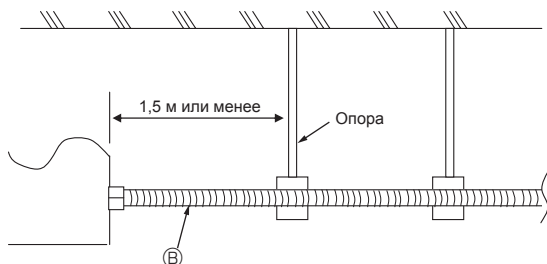
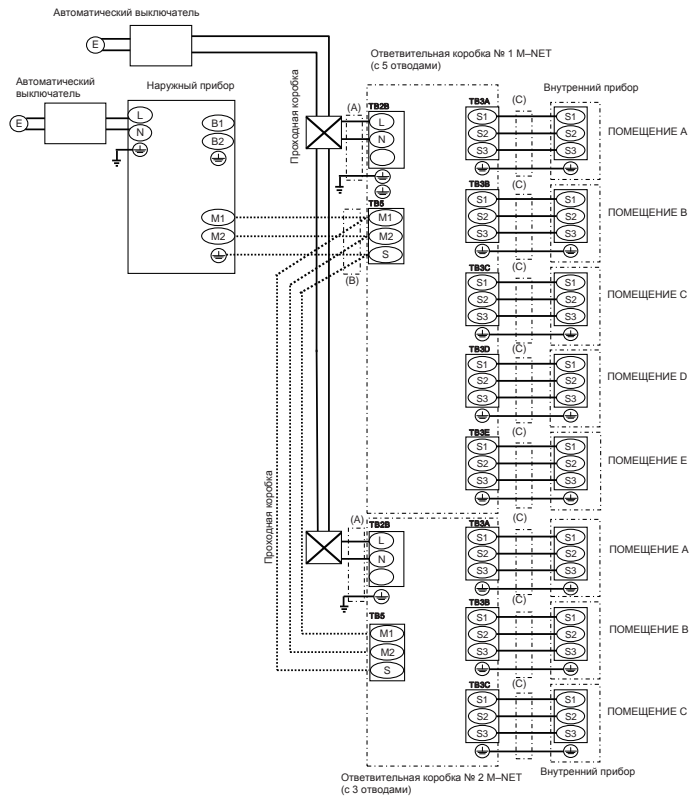


Fig. 8-7

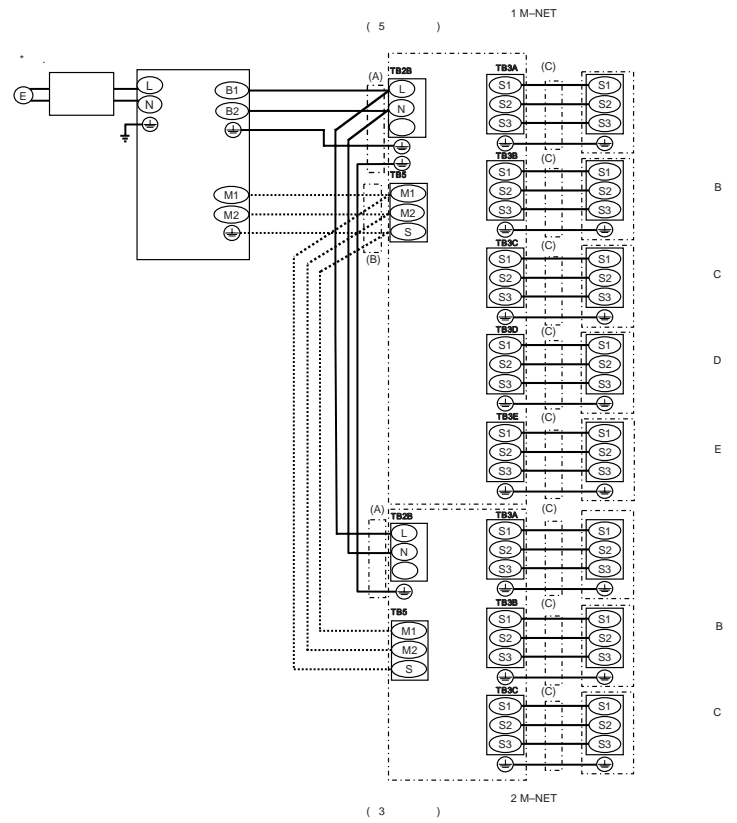
8. Электрические работы

■ Подавайте питание отдельно на ответвительную коробку и наружный прибор



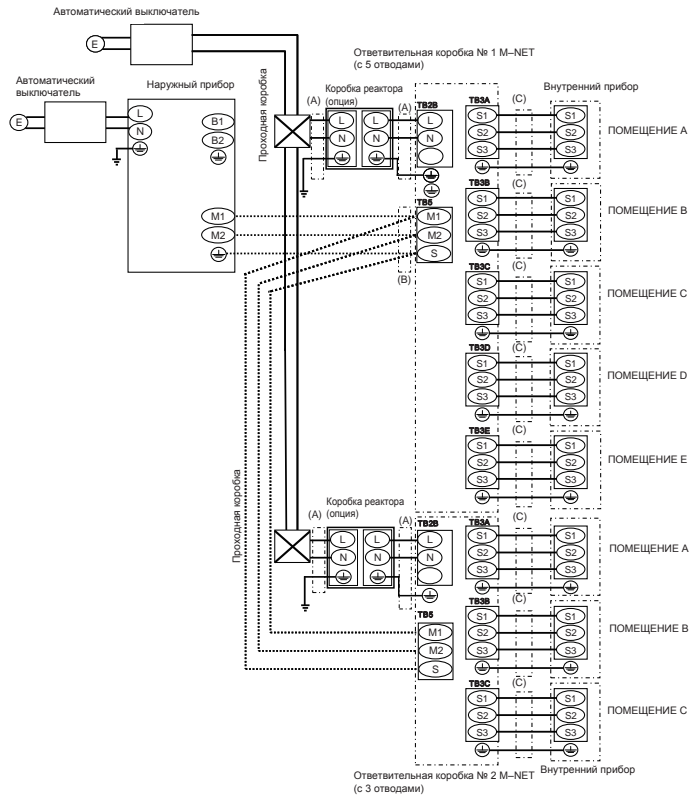
8.2. Порядок монтажа наружной проводки (Fig. 8-8, Fig 8-9)

■ Поддача питания от наружного прибора



■ Подавайте питание отдельно на ответвительную коробку и наружный прибор

При установке прибора в обычном доме. (См. Примечание ③)



■ Поддача питания от наружного прибора

При установке прибора в обычном доме. (См. Примечание ③)

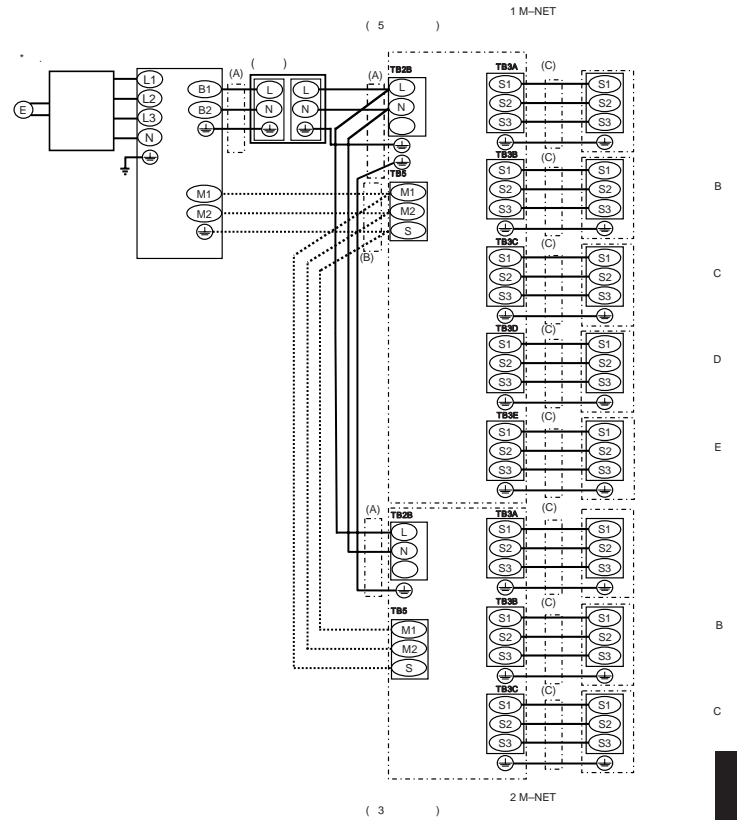


Fig. 8-8

Электроснабжение: однофазное 220/230/240 В 50 Гц, 220 В 60 Гц

8. Электрические работы

Ответвительная коробка № 1 M-NET
(с 5 отводами)

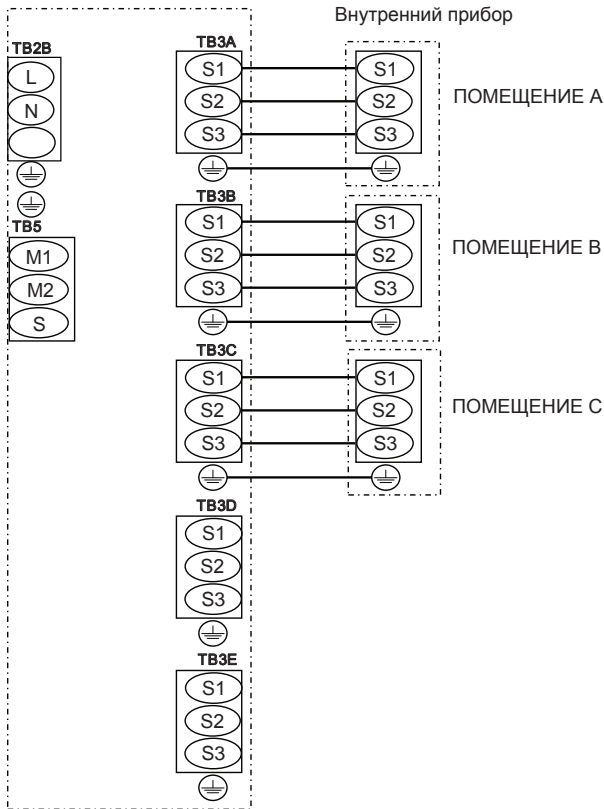


Fig. 8-9

- Рекомендуемый метод подсоединения

При подсоединении одного внутреннего прибора к ответвительной коробке подсоедините его к TB3A. При подсоединении 2 внутренних приборов подсоедините их к TB3A и TB3B. При подсоединении 3 внутренних приборов подсоедините их к TB3A, TB3B и TB3C. Подсоедините внутренние приборы в следующем порядке: A→B→C→D→E.

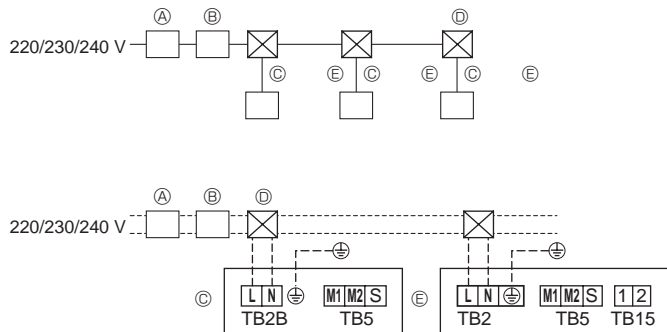


Fig. 8-10

Примечание:

- Подсоедините линии (B), (C) в соответствии с наименованиями на клеммной колодке, чтобы обеспечить правильную полярность.
- Что касается линий (C), то S1 и S2 используются для подсоединения к источнику питания. A S2 и S3 используются для сигналов. S2 является общим кабелем для источника питания и сигнала.

Диаметр провода		
(A) Линия электропитания/линия заземления	(B) Экранированный провод CVVS или CPEVS кабеля M-NET	(C) Линия сигнала/линия заземления
3-жильный 2,5 мм ²	2-жильный 1,25 мм ² менее 200 м	4-жильный 1,5 мм ² менее 25 м

Если для проводки используется скрученный многожильный провод, то необходимо использование круглого клеммного зажима.

- Примечания:
- Размер проводов должен подбираться с учетом применимых местных и национальных нормативов.
 - Кабели электропитания и соединительные провода внутреннего прибора/ответвительной коробки/наружного прибора не должны быть легче гибкого кабеля с полихлорпропановой оболочкой. (Конструкция 60245 IEC 57)
 - Длина устанавливаемой линии заземления должна превышать длину силовых кабелей.
 - Не связывайте кабель M-NET в пучок вместе с соединительным кабелем и кабелем питания. Это может привести к неправильному функционированию.

③ КОРОБКА реактора (опция)

Когда изделие используется не как профессиональное оборудование, а в иных целях, может потребоваться КОРОБКА реактора.

	Способ питания ответвительной коробки	
	Питание от наружного прибора	Отдельное питание
Наружный прибор		
1-фазное питание	Не требуется	Требуется
3-фазное питание	Требуется	Требуется

⚠ Предупреждение:

Никогда не сращивайте кабель, так как это может вызвать задымление, возгорание или сбой связи.

■ Проводка питания (подавайте питание отдельно на ответвительную коробку и наружный прибор)

- Сделайте линию заземления длиннее, чем другие кабели.
- Шнуры питания устройств должны отвечать по меньшей мере требованиям 245IEC57 или 227IEC57, 245 IEC 53 или 227 IEC 53.
- При установке кондиционера используйте выключатель с расстоянием между контактами по меньшей мере 3 мм, 1/8 дюйма для каждого полюса.

[Fig. 8-10]

- Прерыватель замыкания на землю
- Вводной выключатель/автоматический выключатель
- Ответвительная коробка
- Проходная коробка
- ВНУТРЕННИЙ ПРИБОР УПРАВЛЕНИЯ M-NET

8. Электрические работы

Полный рабочий ток внутреннего прибора	Минимальная толщина провода (мм ²)			Мощность (А)	Плавкий предохранитель (А)	Автоматический выключатель (без плавкого предохранителя)	Прерыватель замыкания на землю *1
	Магистральный кабель	Отвод	Заземление				
F0 = 16А или менее *2	1,5	1,5	1,5	16	16	20	20А Токовая чувствительность *3
F0 = 25А или менее *2	2,5	2,5	2,5	25	25	30	30А Токовая чувствительность *3
F0 = 32А или менее *2	4,0	4,0	4,0	32	32	40	40А Токовая чувствительность *3

Максимально допустимое полное сопротивление энергосистемы должно соответствовать IEC61000-3-3.

*1 Прерыватель замыкания на землю должен поддерживать инверторную схему.

Прерыватель замыкания на землю должен сочетать использование вводного выключателя или автоматического выключателя.

*2 В качестве величины для F0 возьмите большее значение F1 или F2.

F1 = Полный максимальный рабочий ток внутренних приборов × 1,2

F2 = (V1/C)

Подсоединить к ответвительной коробке (PAC-MK*BC)

Внутренний прибор	V1	V2	
Тип 1 SEZ-KD*VA, PCA-RP*KAQ, PLA-ZRP*BA(.UK)	19,8	2,4	
Тип 2 PEAD-RP*JAQ(L).UK	26,9		
Тип 3 MLZ-KA*VA, SLZ-KA*VAQ(L)3	9,9		
Тип 4 MSZ-FH*VE, MSZ-SF*VE, MSZ-EF*VE, MSZ-SF*VA, MSZ-GF*VE	6,8		
Тип 5 MFZ-K*VE, MSXY-FJ	7,4		
Тип 6 Branch box (PAC-MK*BC)	5,1		3,0
Тип 7 esodan поколения C*5	5,1		5,0*

Подсоединить к комплекту подключения (PAC-LV11M)

Внутренний прибор	V1	V2
Тип 1 MSY-EF*VE, MSY-GE*VA, MSY-GH, MSZ-GE*VA, MSZ-SF*VA, MSZ-SF*VE, MSZ-EF*VE, MSZ-FH*VE	6,8	2,4
Тип 2 MFZ-K*VE	7,4	
Тип 3 Connection kit (PAC-LV11M)	3,5	

Внутренний прибор	V1	V2	
Тип 1 PMFY-VBM, PLFY-VBM, PEFY-VMS1, PCFY-VKM, PKFY-VHM, PKFY-VKM, PFFY-VLRMM, PFFY-VKM	19,8	2,4	
Тип 2 PLFY-VCM	9,9		
Тип 3 PKFY-VBM	3,5		
Тип 4 PEFY-VMA	38,0		1,6
Тип 5 PLFY-VLMD, PEFY-VMH, PEFY-VMR, PDFY-VM, PFFY-VLEM, PFFY-VLRM, PWFY-VM	0		0

*Данное значение может быть выше вследствие местного подключения привода.

C : Кратное число тока отключения при времени отключения 0,01 с

Возьмите "C" из характеристики срабатывания автоматического выключателя.

Условие: ответвительная коробка × 2 + SEZ-KD*VA × 5, C=8 (см. справа типовую диаграмму)

$$F2 = 5,1 \times 2/8 + 19,8 \times 5/8 = 14,9$$

*3 Токовая чувствительность рассчитывается с использованием следующей формулы.

G1 = V2 + V3 × (длина провода[км])

G1	Токовая чувствительность
30 или менее	30 мА 0,1 с или менее
100 или менее	100 мА 0,1 с или менее

Толщина провода (мм ²)	V3
1,5	48
2,5	56
4,0	66

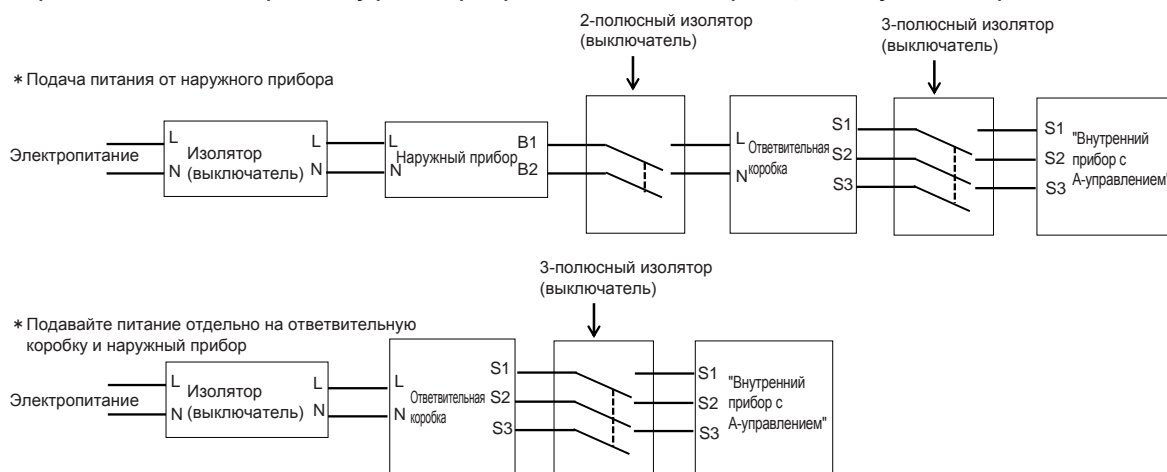
С помощью 20-метрового провода 1,5мм² подсоедините 3 прибора серии PLA-ZRP к ответвительной коробке, а с помощью 100-метрового провода 2,5мм² подсоедините PEFY-VMA к другой ответвительной коробке. Когда соединение установлено при использовании одного автоматического выключателя;

$$G1 = 2,4 \times 3 + 3 + 1,6 + 48 \times 0,02 \times 3 + 56 \times 0,1 = 20,28 \rightarrow 30 \text{ мА токовая чувствительность}$$

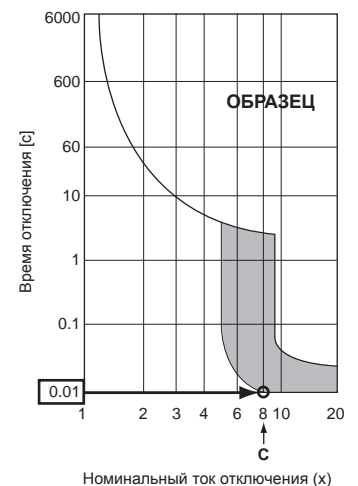
*5 Когда подсоединен esodan, главный контроллер (G-50A и т. п.) подсоединить невозможно.

⚠ Предупреждение:

В случае прокладки проводки А-управления на выводе S3 имеется высоковольтный потенциал, связанный с конструкцией электрической цепи, в которой отсутствует электрическая изоляция между силовой линией и линией сигнала связи. Поэтому при проведении сервисного обслуживания отключайте основное электропитание. А также не прикасайтесь к выводам S1, S2, S3, когда подается питание. Если необходимо использовать изолятор между наружным прибором и ответвительной коробкой/внутренним прибором и ответвительной коробкой, используйте изолятор 3-полюсного типа.



Типовая диаграмма

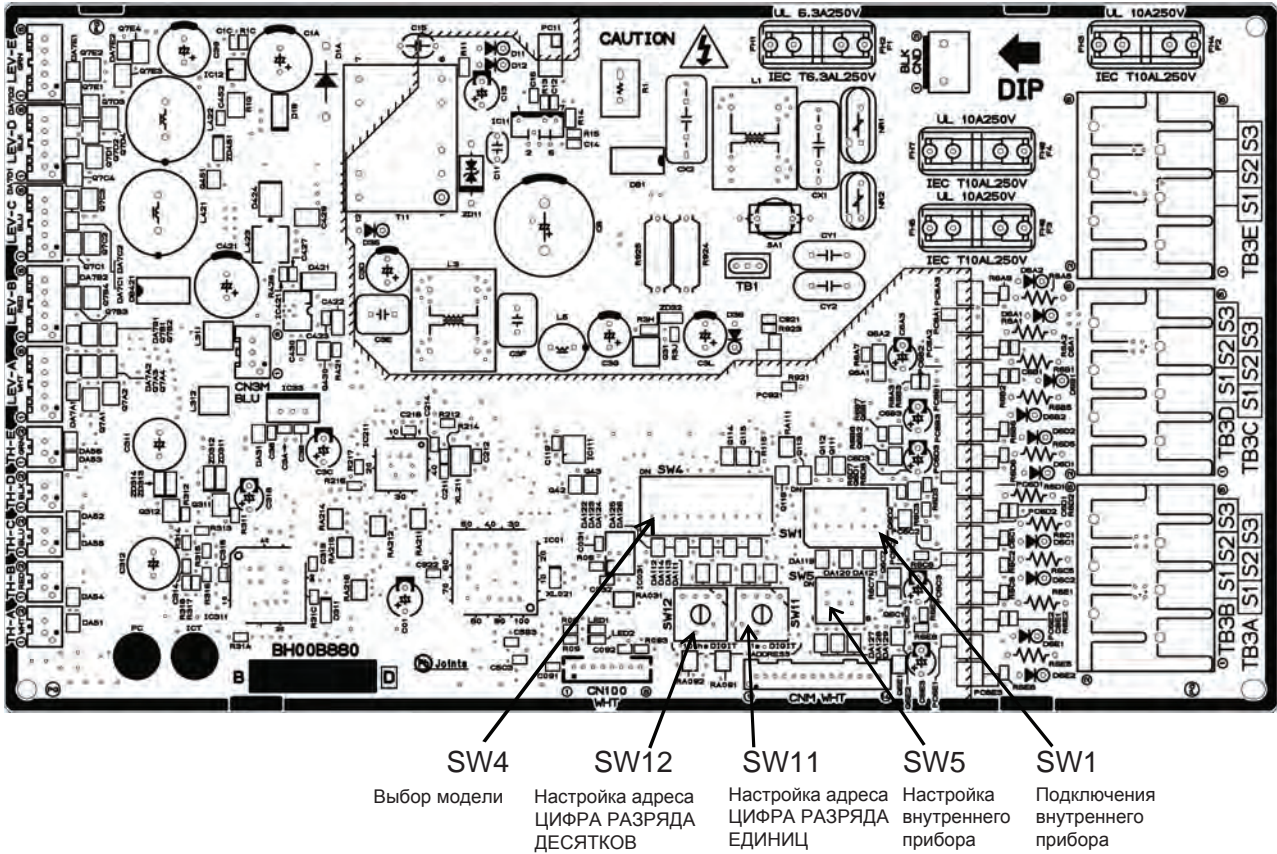


⚠ Осторожно:

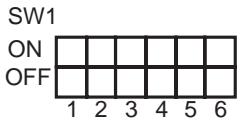
После использования изолятора обязательно отключите и включите основное электропитание, чтобы установить систему в исходное состояние. В противном случае наружный прибор может не распознать ответвительную коробку(и) или внутренние приборы.

8. Электрические работы

8.3. Настройка переключателей



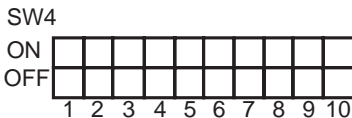
Настройка двухпозиционного переключателя (действует только перед включением питания)



(Пример)
 • Когда внутренние приборы будут подключены к внутреннему прибору А и С, включите SW1-1 и SW1-3.

Внутренний прибор А
 Внутренний прибор В
 Внутренний прибор С
 Внутренний прибор D
 Внутренний прибор E
 Назначенный

Выключатель	OFF	ON
SW1-1	Не подключено	Подключено
SW1-2	Не подключено	Подключено
SW1-3	Не подключено	Подключено
SW1-4	Не подключено	Подключено
SW1-5	Не подключено	Подключено
SW1-6		

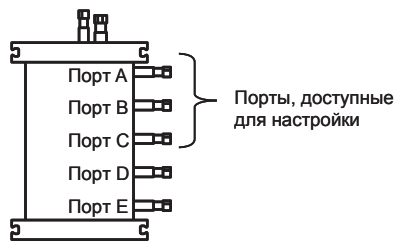


(Пример)
 • Когда во внутреннем приборе представлена только система охлаждения, включите SW4-5.

Выключатель	OFF	ON
SW4-5	Система охлаждения и обогрева	Только система охлаждения

При подключении цилиндра или гидромодуля к прибору в доме подсоедините внутренний прибор с воздуховоздушной системой, подключенный в спальнях, к портам А-С и задайте приведенные ниже настройки переключения. Кроме того, после ознакомления с руководством по установке наружного прибора добавьте хладагент. Порты А-С доступны для установки максимум в 3 комнатах.

SW5			Настройка порта
4	5	6	
Выкл.	Выкл.	Выкл.	Не указано
Вкл.	Выкл.	Выкл.	Порт А
Выкл.	Вкл.	Выкл.	Порт В
Вкл.	Вкл.	Выкл.	Порт А+В
Выкл.	Выкл.	Вкл.	Порт С
Вкл.	Выкл.	Вкл.	Порт А+С
Выкл.	Вкл.	Вкл.	Порт В+С
Вкл.	Вкл.	Вкл.	Порт А+В+С



Переключатель адреса (действует только перед включением питания)

Настройка фактического адреса внутреннего прибора варьируется в различных системах. Чтобы узнать подробную информацию о настройке адреса, см. инструкцию по установке наружного прибора. Каждый адрес задается комбинацией настроек для цифры разряда десятков и цифры разряда единиц.

(Пример)
 • Устанавливая адрес на "3", установите цифру разряда единиц на 3, а цифру разряда десятков на 0.
 • Устанавливая адрес на "25" установите цифру разряда единиц на 5, а цифру разряда десятков на 2.

(Пример)
 • При настройке адреса ответственной коробки на "3", адрес назначается каждому внутреннему прибору, начиная с прибора А, как показано ниже, независимо от того, подсоединен ли каждый внутренний прибор или нет (SW1-1-5 ON).
 Внутренний прибор А Адрес 3
 Внутренний прибор В Адрес 4
 Внутренний прибор С Адрес 5
 Внутренний прибор D Адрес 6
 Внутренний прибор E Адрес 7
 • Когда адрес настроен на "25" и подсоединены 3 внутренних прибора (прибор А, прибор С и прибор E). (SW1-1, 1-3, 1-5 ON)
 Внутренний прибор А Адрес 25
 Внутренний прибор С Адрес 26
 Внутренний прибор E Адрес 27

9. Выполнение испытания

- См. раздел "Выполнение испытания" в инструкции по установке внутренних приборов и наружного прибора.
- Когда источники питания ответвительной коробки и наружного прибора отдельные, сначала включите питание ответвительной коробки, а затем включите питание наружного прибора.
- **После подачи питания или после временного прекращения работы внутри ответвительной коробки можно услышать легкий щелчок. Электронный терморегулирующий вентиль открывается и закрывается. Прибор исправен.**
- Обязательно выполните пробный прогон в режиме охлаждения для каждого внутреннего прибора. Убедитесь, что каждый внутренний прибор работает надлежащим образом в соответствии с инструкцией по установке, прилагаемой к прибору.
- Если Вы выполняете пробный прогон одновременно для всех внутренних приборов, Вы не можете обнаружить какое-либо ошибочное подсоединение, если таковое имеется, труб хладагента и соединительных проводов внутреннего/наружного прибора.
- Чтобы обнаружить неправильную проводку, выполняйте пробный прогон для каждого внутреннего прибора отдельно.

⚠ Осторожно:

- Для управления внутренним прибором используйте пульт дистанционного управления.
- Следующие признаки не являются неисправностями.

Признак	Причина	Светодиодный дисплей внутреннего прибора *
Внутренний прибор не работает, даже если настроен на охлаждение (обогрев)	Охлаждение (обогрев) не могут осуществляться, когда идет процесс охлаждения (обогрева) другим внутренним прибором.	Режим ожидания (для мультисистемы)
	Вентилятор прекращает работу во время процесса размораживания.	-
Вентилятор внутреннего прибора прекращает работу во время обогрева	Вентилятор прекращает работу, когда включен режим сбора хладагента **	Режим ожидания (для мультисистемы)

* См. подробную информацию в инструкции по эксплуатации внутренних приборов.

** Этот режим включается приблизительно на 1 минуту, чтобы помочь избежать недостаточной подачи хладагента в ходе процесса обогрева, когда хладагент хранится во внутреннем приборе, который был отключен.

<ENGLISH>

English is original. The other languages versions are translation of the original.

⚠ CAUTION

- Refrigerant leakage may cause suffocation. Provide ventilation in accordance with EN378-1.
- Be sure to wrap insulation around the piping. Direct contact with the bare piping may result in burns or frostbite.
- Never put batteries in your mouth for any reason to avoid accidental ingestion.
- Battery ingestion may cause choking and/or poisoning.
- Install the unit on a rigid structure to prevent excessive operation sound or vibration.
- The A-weighted sound pressure level is below 70dB.
- This appliance is intended to be used by expert or trained users in shops, in light industry and on farms, or for commercial use by lay persons.

<DEUTSCH>

Das Original ist in Englisch. Die anderen Sprachversionen sind vom Original übersetzt.

⚠ VORSICHT

- Wenn Kältemittel austritt, kann dies zu Erstickungen führen. Sorgen Sie in Übereinstimmung mit EN378-1 für Durchlüftung.
- Die Leitungen müssen isoliert werden. Direkter Kontakt mit nicht isolierten Leitungen kann zu Verbrennungen oder Erfrierungen führen.
- Nehmen Sie niemals Batterien in den Mund, um ein versehentliches Verschlucken zu vermeiden.
- Durch das Verschlucken von Batterien kann es zu Erstickungen und/oder Vergiftungen kommen.
- Installieren Sie das Gerät auf einem stabilen Untergrund, um übermäßige Betriebsgeräusche oder -schwingungen zu vermeiden.
- Der A-gewichtete Schalldruckpegel ist niedriger als 70dB.
- Dieses Gerät ist vorgesehen für die Nutzung durch Fachleute oder geschultes Personal in Werkstätten, in der Leichtindustrie und in landwirtschaftlichen Betrieben oder für die kommerzielle Nutzung durch Laien.

<FRANÇAIS>

L'anglais est l'original. Les versions fournies dans d'autres langues sont des traductions de l'original.

⚠ PRECAUTION

- Une fuite de réfrigérant peut entraîner une asphyxie. Fournissez une ventilation adéquate en accord avec la norme EN378-1.
- Assurez-vous que la tuyauterie est enveloppée d'isolant. Un contact direct avec la tuyauterie nue peut entraîner des brûlures ou des engelures.
- Ne mettez jamais des piles dans la bouche pour quelque raison que ce soit pour éviter de les avaler par accident.
- Le fait d'ingérer des piles peut entraîner un étouffement et/ou un empoisonnement.
- Installez l'appareil sur une structure rigide pour prévenir un bruit de fonctionnement et une vibration excessifs.
- Le niveau de pression acoustique pondéré est en dessous de 70 dB.
- Cet appareil est conçu pour un utilisateur expert ou les utilisateurs formés en magasin, dans l'industrie légère et dans l'agriculture ou dans le commerce par le profane.

<NEDERLANDS>

Het Engels is het origineel. De andere taalversies zijn vertalingen van het origineel.

⚠ VOORZICHTIG

- Het lekken van koelvoelstof kan verstikking veroorzaken. Zorg voor ventilatie in overeenstemming met EN378-1.
- Isoleer de leidingen met isolatiemateriaal. Direct contact met de onbedekte leidingen kan leiden tot brandwonden of bevriezing.
- Stop nooit batterijen in uw mond om inslikking te voorkomen.
- Het inslikken van batterijen kan verstikking of vergiftiging veroorzaken.
- Installeer het apparaat op een stabiele structuur om overmatig lawaai of trillingen te voorkomen.
- Het niveau van de geluidsdruk ligt onder 70 dB(A).
- Dit apparaat is bedoeld voor gebruik door ervaren of opgeleide gebruikers in werkplaatsen, in de lichte industrie en op boerderijen, of voor commercieel gebruik door leken.

<ESPAÑOL>

El idioma original del documento es el inglés. Las versiones en los demás idiomas son traducciones del original.

⚠ CUIDADO

- Las pérdidas de refrigerante pueden causar asfixia. Se debe proporcionar la ventilación determinada en EN378-1.
- Asegúrese de colocar el aislante alrededor de las tuberías. El contacto directo con la tubería puede ocasionar quemaduras o congelación.
- Para evitar una ingestión accidental, no coloque las pilas en su boca bajo ningún concepto.
- La ingestión de las pilas puede causar asfixia y/o envenenamiento.
- Coloque la unidad en una estructura rígida para evitar que se produzcan sonidos o vibraciones excesivos debidos a su funcionamiento.
- El nivel de presión acústica ponderado A es inferior a 70 dB.
- Este aparato está destinado a su uso por parte de usuarios expertos o capacitados en talleres, industrias ligeras y granjas, o a su uso comercial por parte de personas no expertas.

<ITALIANO>

Il testo originale è redatto in lingua Inglese. Le altre versioni linguistiche rappresentano traduzioni dell'originale.

⚠ ATTENZIONE

- Le perdite di refrigerante possono causare asfissia. Prevedere una ventilazione adeguata in conformità con la norma EN378-1.
- Accertarsi di applicare materiale isolante intorno alle tubature. Il contatto diretto con le tubature non schermate può provocare ustioni o congelamento.
- Non introdurre in nessun caso le batterie in bocca onde evitare ingestioni accidentali.
- L'ingestione delle batterie può provocare soffocamento e/o avvelenamento.
- Installare l'unità su una struttura rigida in modo da evitare rumore o vibrazioni eccessivi durante il funzionamento.
- Il livello di pressione del suono ponderato A è inferiore a 70dB.
- Questa apparecchiatura è destinata all'utilizzo da parte di utenti esperti o addestrati in negozi, industria leggera o fattorie oppure a un uso commerciale da parte di persone non esperte.

<ΕΛΛΗΝΙΚΑ>

Η γλώσσα του πρωτοτύπου είναι η αγγλική. Οι εκδόσεις άλλων γλωσσών είναι μεταφράσεις του πρωτοτύπου.

⚠ ΠΡΟΣΟΧΗ

- Η διαρροή του ψυκτικού ενδέχεται να προκαλέσει ασφυξία. Φροντίστε για τον εξερισμό σύμφωνα με το πρότυπο EN378-1.
- Φροντίστε να τυλιχτεί με μονωτικό υλικό τη σωλήνωση. Η απευθείας επαφή με τη γυμνή σωλήνωση ενδέχεται να προκαλέσει εγκαύματα ή κρυοπαγήματα.
- Μη βάζετε ποτέ τις μπαταρίες στο στόμα σας για κανένα λόγο ώστε να αποφύγετε την κατά λάθος κατάποσή τους.
- Η κατάποση μπαταριών μπορεί να προκαλέσει πνιγμό ή/και δηλητηρίαση.
- Εγκαταστήστε τη μονάδα σε σταθερή κατασκευή ώστε να αποφύγετε τον έντονο ήχο λειτουργίας ή τους κραδασμούς.
- Η Α-σταθμισμένη στάθμη ηχητικής πίεσης είναι κάτω των 70dB.
- Η συσκευή αυτή προορίζεται για χρήση από έμπειρους ή εκπαιδευμένους χρήστες σε καταστήματα, στην ελαφριά βιομηχανία ή σε αγροκτήματα, ή για εμπορική χρήση από άτομα τα οποία δεν είναι ειδήμονες.

<PORTUGUÊS>

O idioma original é o inglês. As versões em outros idiomas são traduções do idioma original.

⚠ CUIDADO

- A fuga de refrigerante pode causar asfixia. Garanta a ventilação em conformidade com a norma EN378-1.
- Certifique-se de que envolva as tubagens com material de isolamento. O contacto directo com tubagens não isoladas pode resultar em queimaduras ou ulcerações provocadas pelo frio.
- Nunca coloque pilhas na boca, por nenhum motivo, para evitar a ingestão accidental.
- A ingestão de uma pilha pode causar obstrução das vias respiratórias e/ou envenenamento.
- Instale a unidade numa estrutura robusta, de forma a evitar ruídos ou vibrações excessivos durante o funcionamento.
- O nível de pressão sonora ponderado A é inferior a 70 dB.
- Este equipamento destina-se a ser utilizado por especialistas ou utilizadores com formação em lojas, na indústria ligeira e em quintas, ou para utilização comercial por leigos.

<DANSK>

Engelsk er originalen. De andre sprogversioner er oversættelser af originalen.

⚠ FORSIGTIG

- Lækage af kølemiddel kan forårsage kvælning. Sørg for udluftning i overensstemmelse med EN378-1.
- Sørg for at pakke rørene ind i isolering. Direkte kontakt med ubeklædte rør kan forårsage forbrændinger eller forfrysninger.
- Batterier må under ingen omstændigheder tages i munden for at forhindre utilsigtet indtagelse.
- Indtagelse af batterier kan forårsage kvælning og/eller forgiftning.
- Installer enheden på en fast struktur for at forhindre for høje driftslyde eller vibrationer.
- Det A-vægtede lydtrykniveau er under 70dB.
- Dette apparat er beregnet til at blive brugt af eksperter eller udlærte brugere i butikker, inden for let industri og på gårde eller til kommerciel anvendelse af lægmænd.

<SVENSKA>

Engelska är originalspråket. De övriga språkversionerna är översättningar av originalet.

⚠ FÖRSIKTIGHET

- Köldmedelsläckage kan leda till kvävning. Tillhandahåll ventilation i enlighet med EN378-1.
- Kom ihåg att linda isolering runt rören. Direktkontakt med bara rör kan leda till brännskador eller köldskador.
- Stoppa aldrig batterier i munnen, de kan sväljas av misstag.
- Om ett batteri sväljs kan det leda till kvävning och/eller förgiftning.
- Montera enheten på ett stadigt underlag för att förhindra höga driftljud och vibrationer.
- Den A-vägda ljudtrycksnivån är under 70dB.
- Denna apparat är ämnad för användning av experter eller utbildade användare i affärer, inom lätt industri och på lantbruk, eller för kommersiell användning av lekmän.

<TÜRKÇE>

Aslı İngilizce'dir. Diğer dillerdeki sürümler aslının çevirisidir.

⚠ DİKKAT

- Soğutucu kaçağı boğulmaya neden olabilir. EN378-1 uyarınca uygun havalandırma sağlayın.
- Borular etrafına yalıtım yapıldığından emin olun. Borulara doğrudan çıplak elle dokunulması yanıklara veya soğuk ısırıklarına neden olabilir.
- Kazara yutmamak için, pilleri kesinlikle hiçbir amaçla ağzınızda tutmayın.
- Pillerin yutulması boğulmaya ve/veya zehirlenmeye yol açabilir.
- Aşırı çalışma seslerini veya titreşimi önlemek için, üniteyi sağlam bir yapı üzerine monte edin.
- A ağırlıklı ses çeyresi 70dB'nin altındadır.
- Bu cihaz atölyelerde, hafif endüstriyel tesislerde ve çiftliklerde uzman veya eğitilmiş kullanıcılar tarafından kullanılmak üzere veya normal kullanıcılar tarafından ticari kullanım için tasarlanmıştır.

<РУССКИЙ>

Языком оригинала является английский. Версии на других языках являются переводом оригинала.

⚠ ОСТОРОЖНО

- Утечка хладагента может стать причиной удущья. Обеспечьте вентиляцию в соответствии с EN378-1.
- Обязательно оберните трубы изоляционной обмоткой. Непосредственный контакт с неизолированными трубопроводами может привести к ожогам или обморожению.
- Запрещается класть элементы питания в рот по каким бы то ни было причинам во избежание случайного проглатывания.
- Попадание элемента питания в пищеварительную систему может стать причиной удущья и/или отравления.
- Устанавливайте устройство на жесткую структуру во избежание чрезмерного шума или чрезмерной вибрации во время работы.
- Уровень звукового давления по шкале А составляет менее 70 дБ.
- Данное устройство предназначено для использования специалистами или обученным персоналом в магазинах, на предприятиях легкой промышленности и фермах или для коммерческого применения непрофессионалами.

This product is designed and intended for use in the residential,
commercial and light-industrial environment.

The product at hand is based on the following EU regulations:

- Low Voltage Directive 2006 / 95 / EC
- Electromagnetic Compatibility Directive 2004 /108 / EC

Please be sure to put the contact address/telephone number on
this manual before handing it to the customer.



MITSUBISHI ELECTRIC CORPORATION
HEAD OFFICE: TOKYO BLDG., 2-7-3, MARUNOUCHI, CHIYODA-KU, TOKYO 100-8310, JAPAN